

2H 00 Mn



(FR) SECURITE
IMPORTANT-A LIRE SOIGNEUSEMENT-A CONSERVER
POUR CONSULTATION ULTERIEURE

(GB) CAUTION
IMPORTANT-TO BE READED CAREFULLY-TO BE
CONSERVED FOR LATER CONSULTATION

(DE) SICHERHEITSVORSCHRIFTEN
WICHTIG-GENAU DURCHZULESEN-AUFZUBEWAHREN
FÜR SPÄTEREN GEBRAUCH

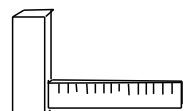
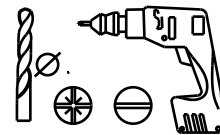
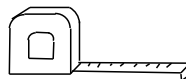
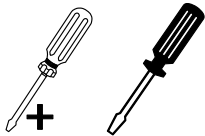
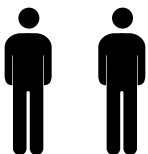
(ES) SEGURIDAD
IMPORTANTE-LEER CON ATENCION-CONSERVAR
PARA CONSULTAS POSTERIORES

(NL) VEILIGHEID
BELANGRIJK-ZORGVULDIGGELEZEN TE WORDEN-BEWAARD
TE WORDEN VOOR LATERE RAADPLEGING

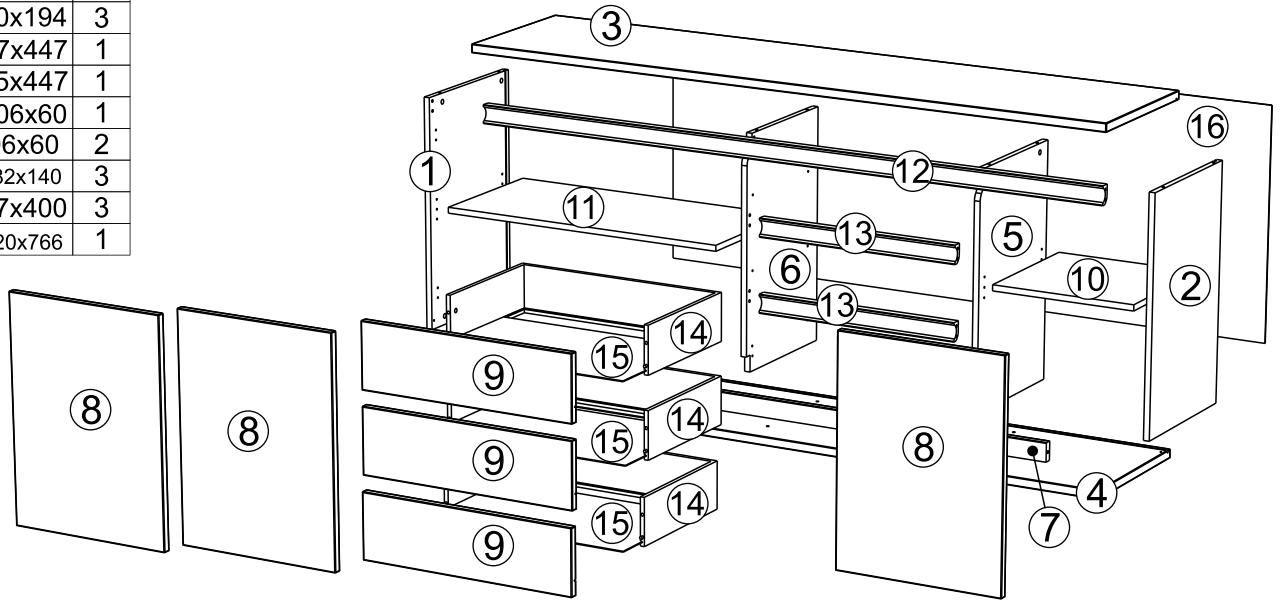
(IT) SICUREZZA
IMPORTANTE-DA LEGGERE ATTENTAMENTE-DA
CONSERVARE PER CONSULTAZIONE ULTERIORE

(PT) SEGURANCA
IMPORTANTE-PARA LER COM ATENCAO-PARA
CONSERVAR PARA COOSULTA ULTERIOR

(PL) UWAGA
WAZNE-UWAZNIE PRZECZYTAC-ZACHOWAC
CELEM POZNIEJSZYCH KONSULTACJI



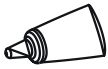

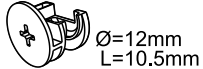




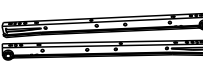
REP	DIM	QTE
1	752x470	1
2	752x470	1
3	1848x500	1
4	1848x500	1
5	752x450	1
6	752x450	1
7	1806x59	1
8	445x672	3
9	500x194	3
10	407x447	1
11	855x447	1
12	1806x60	1
13	506x60	2
14	1282x140	3
15	467x400	3
16	1820x766	1



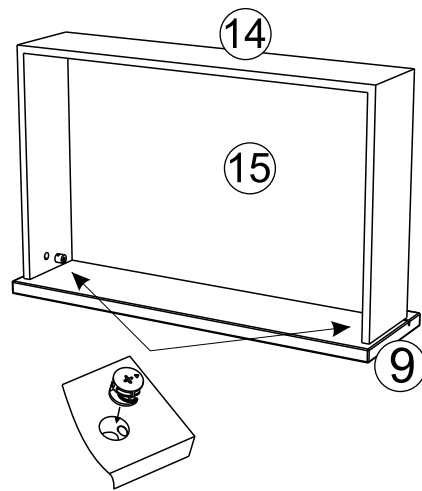
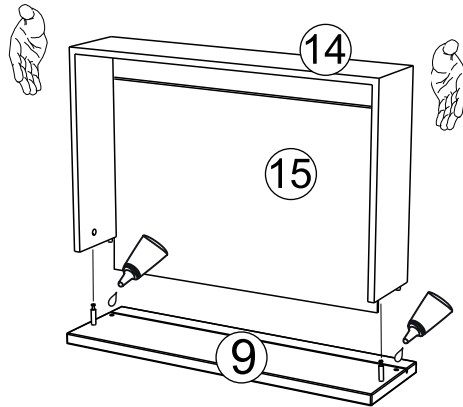
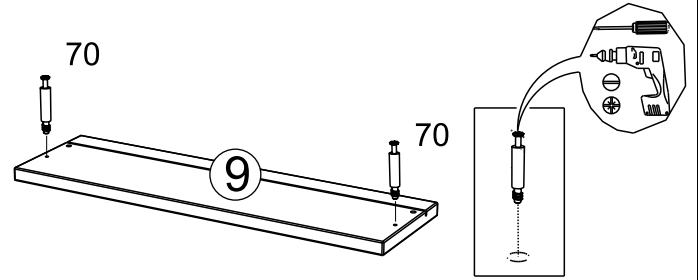
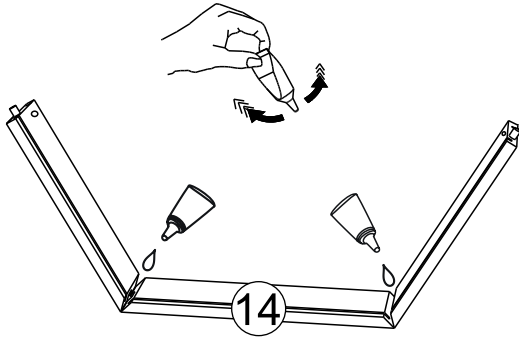
70	X20	71	X14	706	X8	340750	X4	434	X1	732	X1
			Ø=15mm L=12mm								
604757	X1	949	X12	477	X3	928	X12	935	X24	444	X18
	x30		3.5*15				6.3*9		3*12		
907	X24	340057	X5	944	X16	333089	X6	333094	X6		
	3x16				6.3*13						
333082			X3	333083	X3	903	X1	729	X12	913	X18
							4x40				4x30
350094	X6	331144	X1	359407	X6						
					Ø=12mm L=10.5mm						



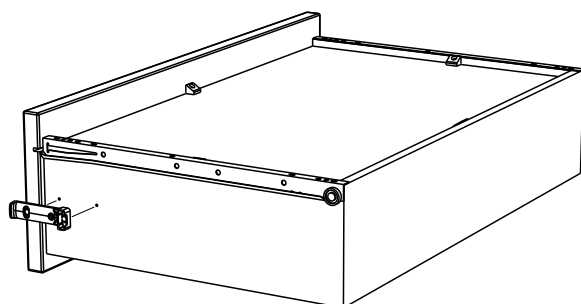
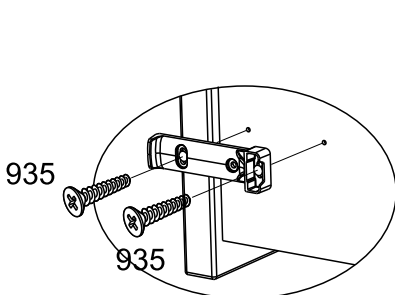
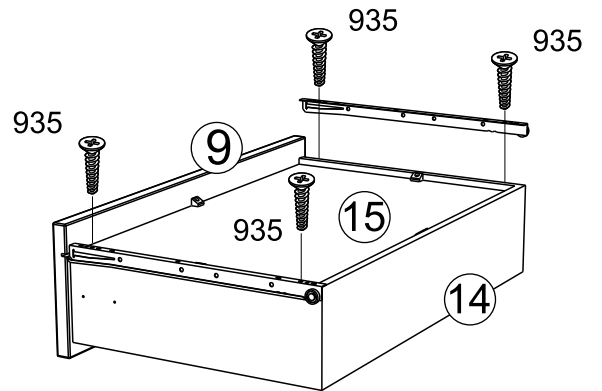
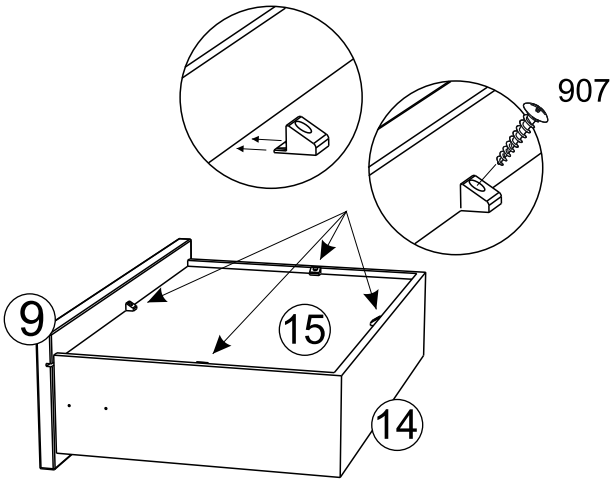
1

732 X1	70 X6	359407 X6	444 X12	907 X12
				
935 X18	333083 X3	477 X3		
				

X3



  **2 H 00**



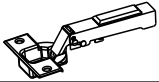
2

333094

X6

949

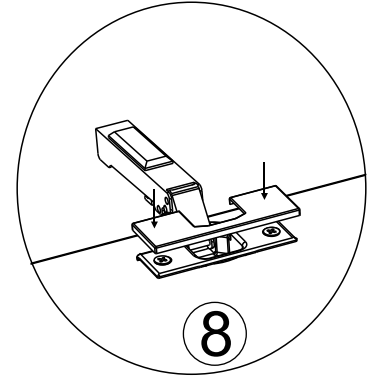
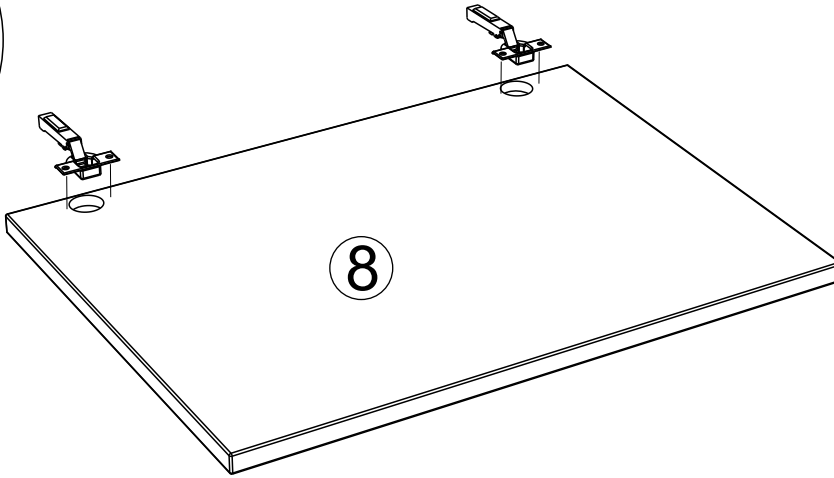
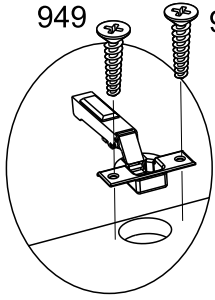
X12



X3

949

949



3

70

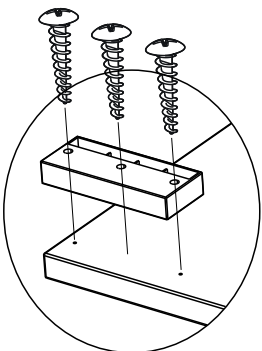
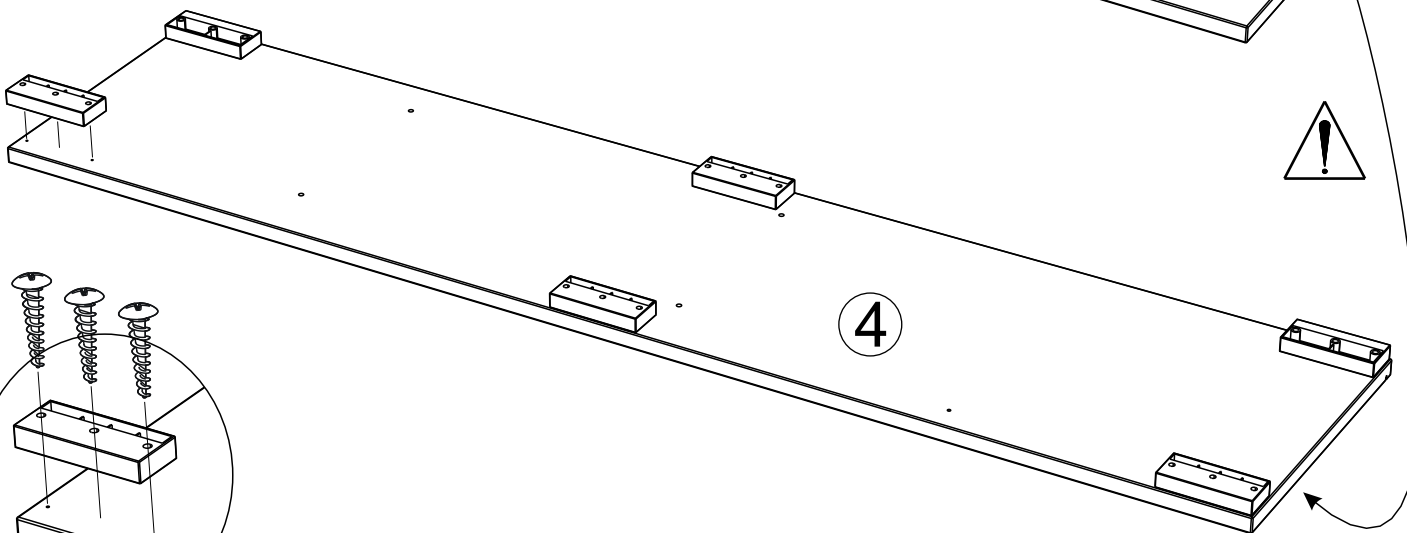
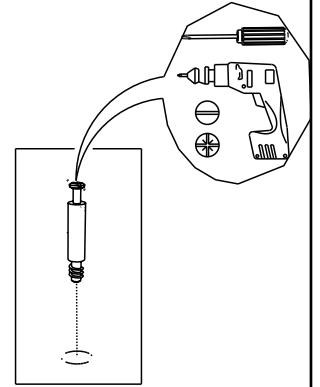
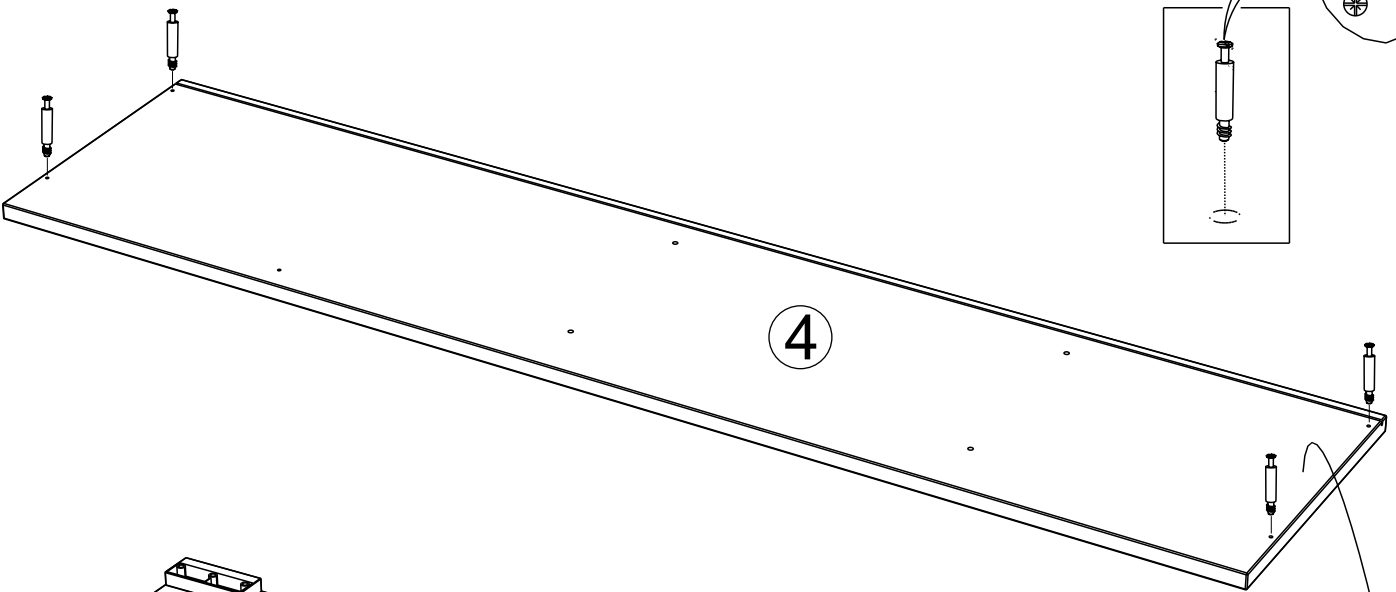
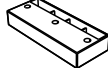
X4

350094

X6

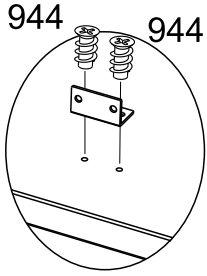
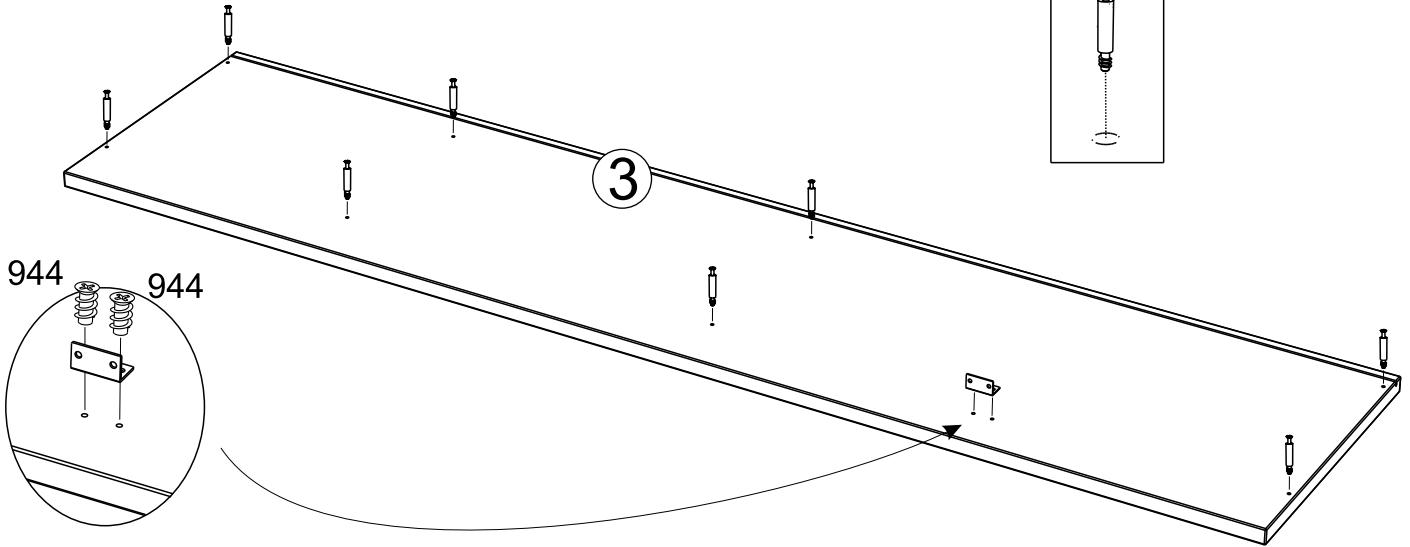
913

X18



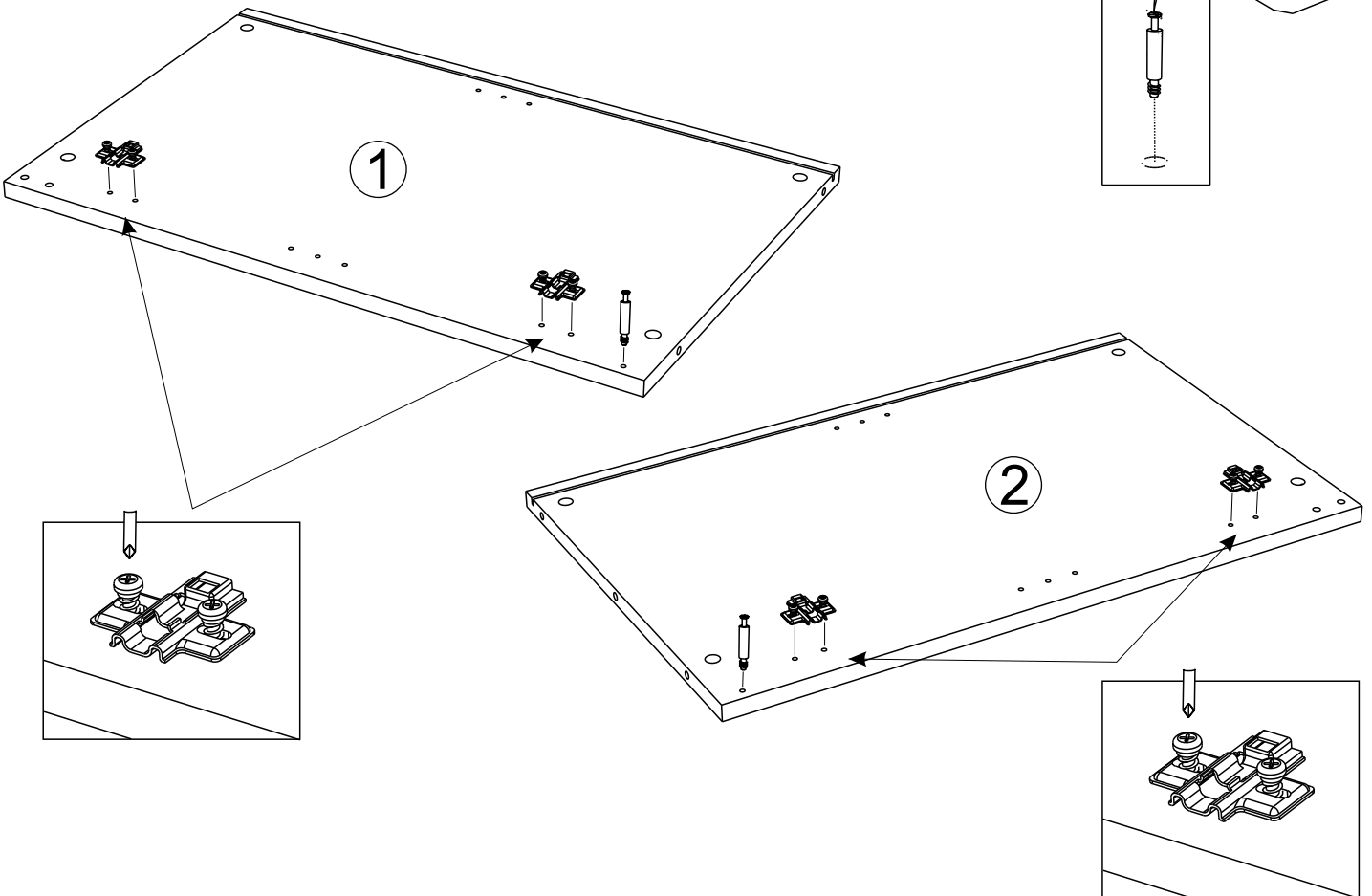
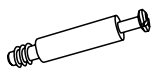
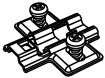
4

70	X8	340057	X1	944	X2
----	----	--------	----	-----	----




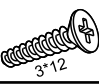



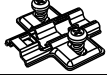


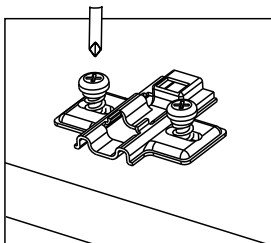
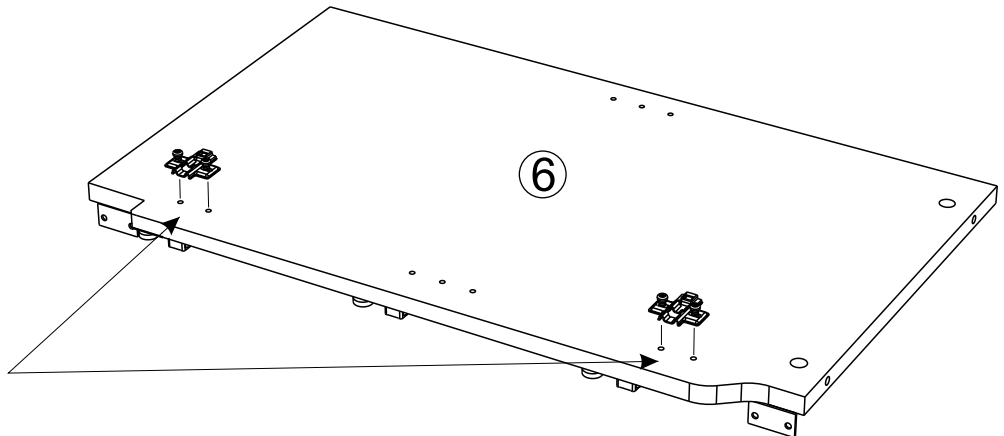
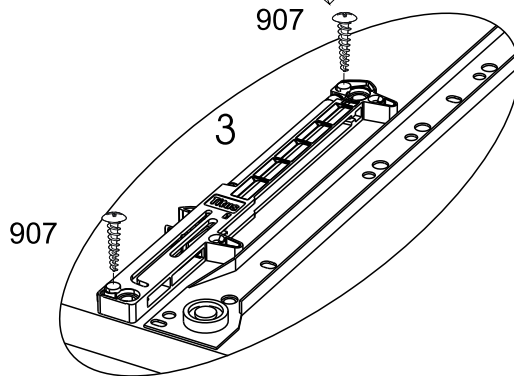
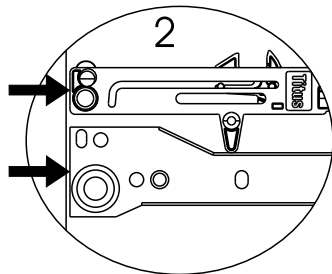
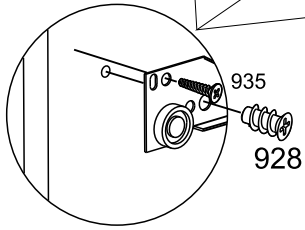
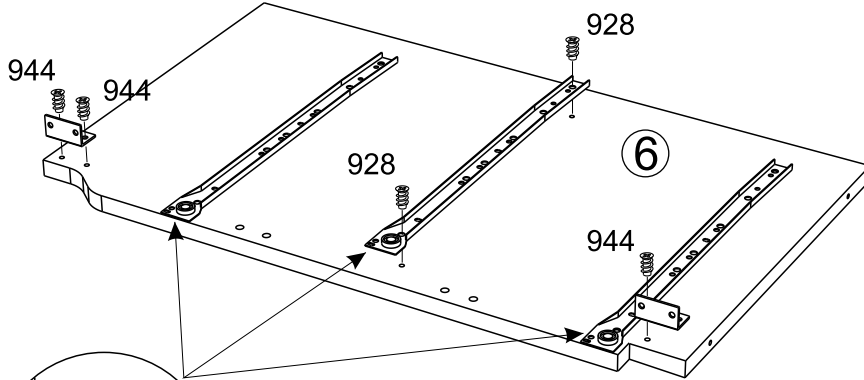
5

333089	X4	70	X2
--------	----	----	----

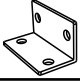


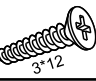
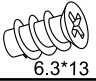


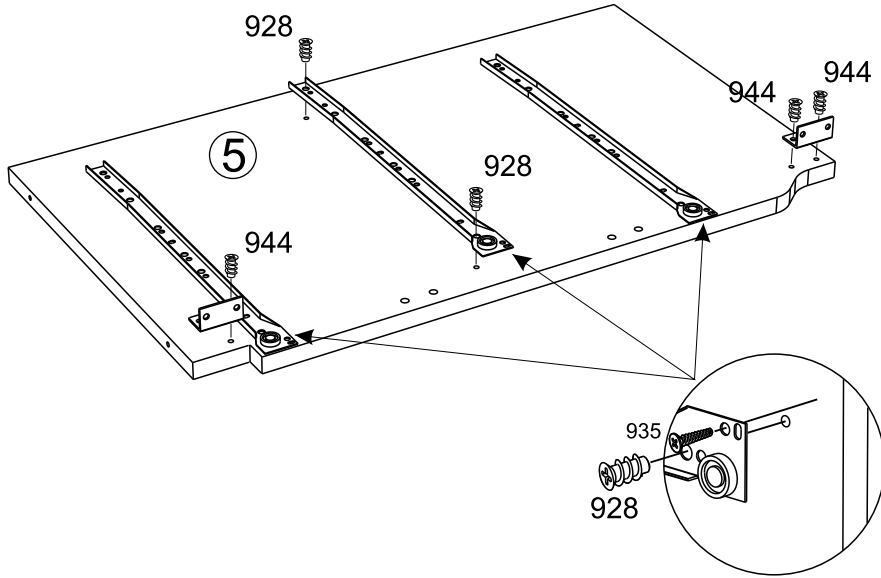
6

340057	X2	928	X6	477	X3	935	X3	944	X3
		 6.3*9				 3*12		 6.3*13	
333082	X3	907	X6	333089	X2				
		 3x16							





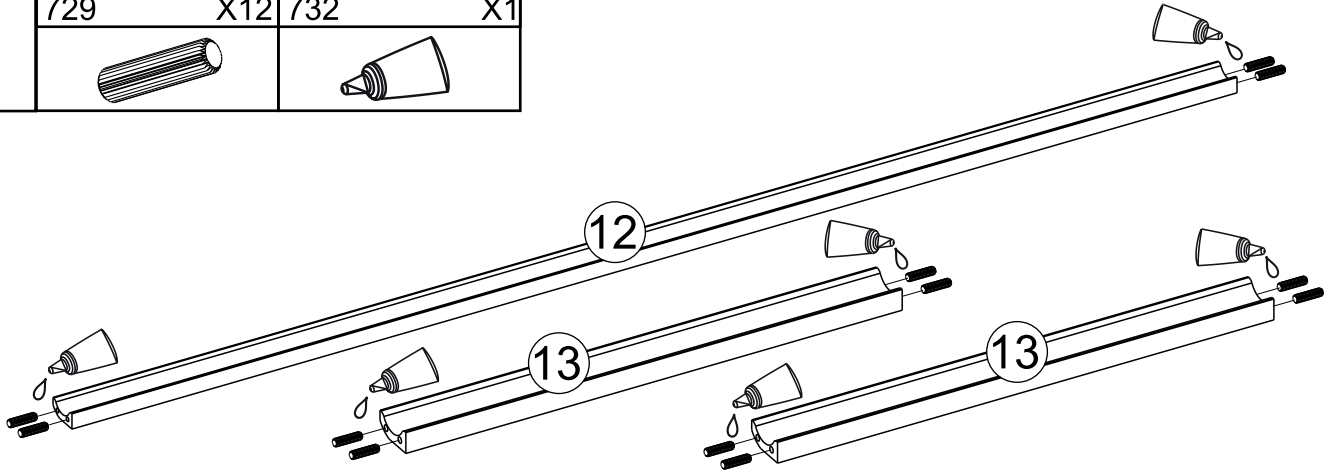
7

340057	X2	928	X6	477	X3	935	X3	944	X3
		 6.3*9				 3*12		 6.3*13	




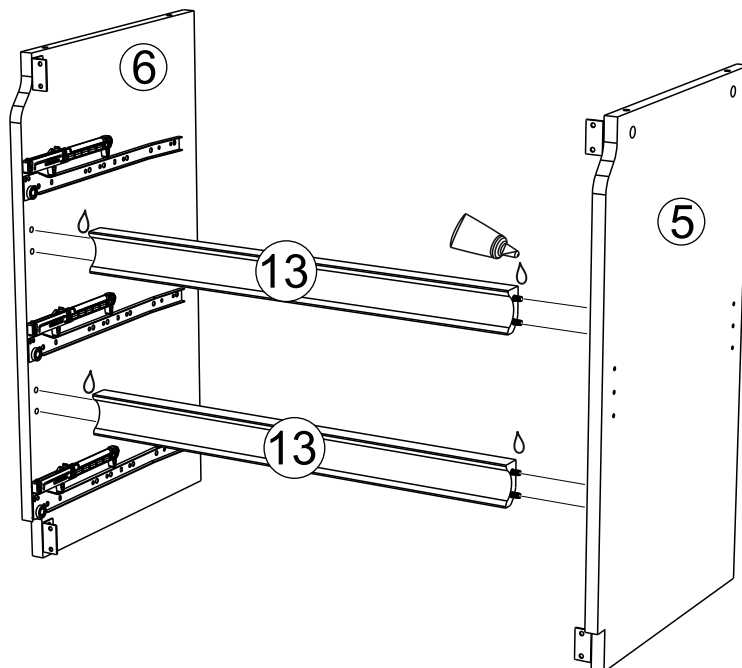
8

729	X12	732	X1
			





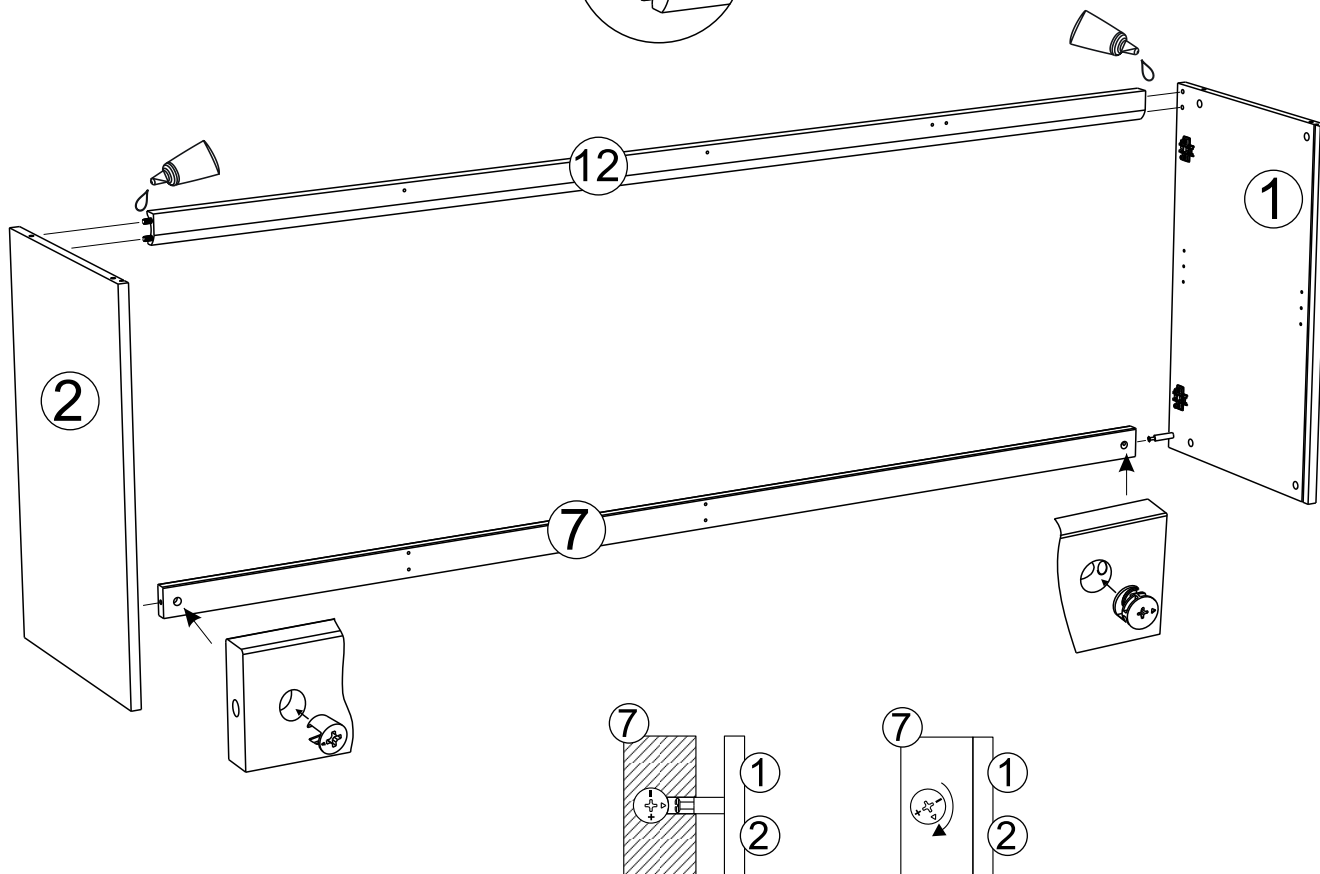
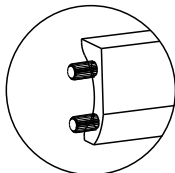
9

732	X1
	

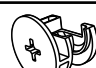


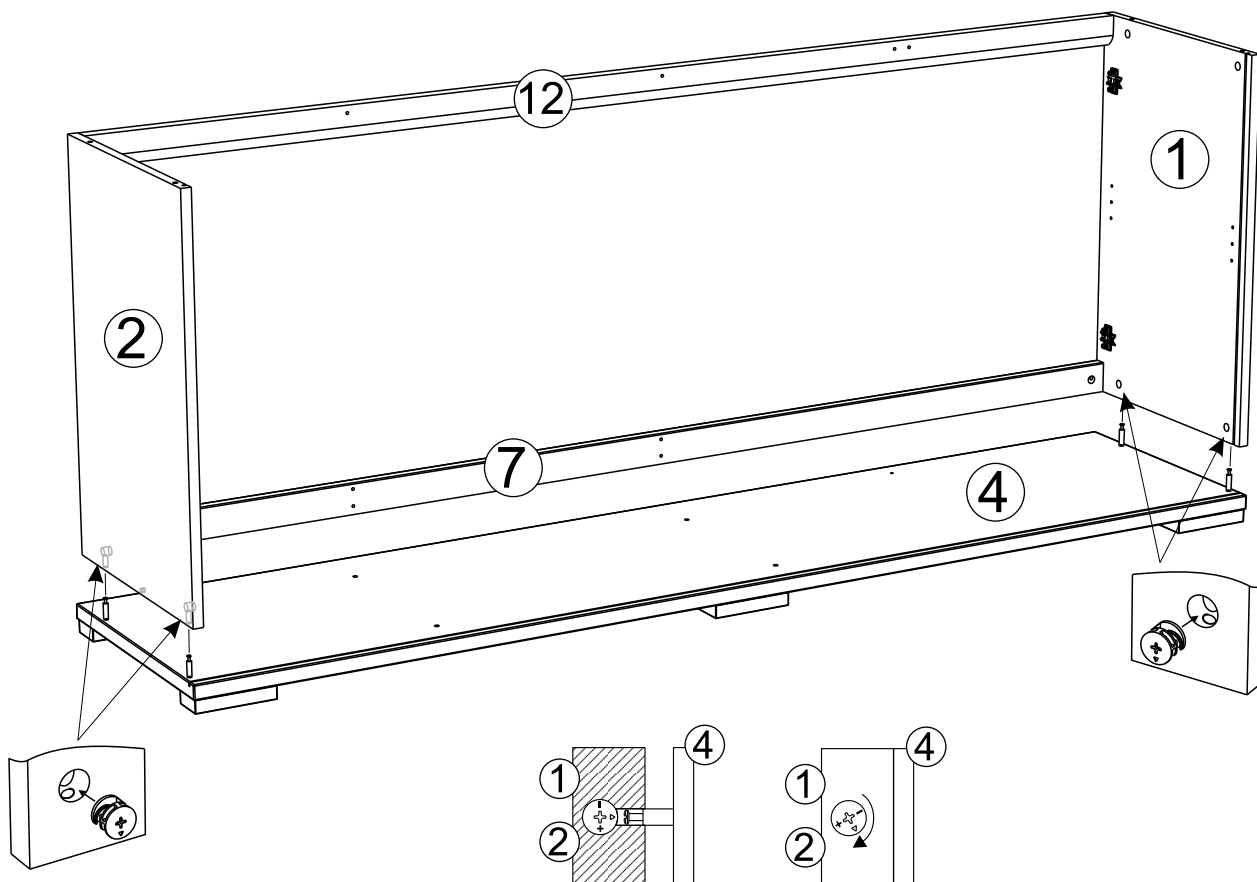
10

71	X2	732	X1
	$\varnothing=15\text{mm}$ $L=12\text{mm}$		




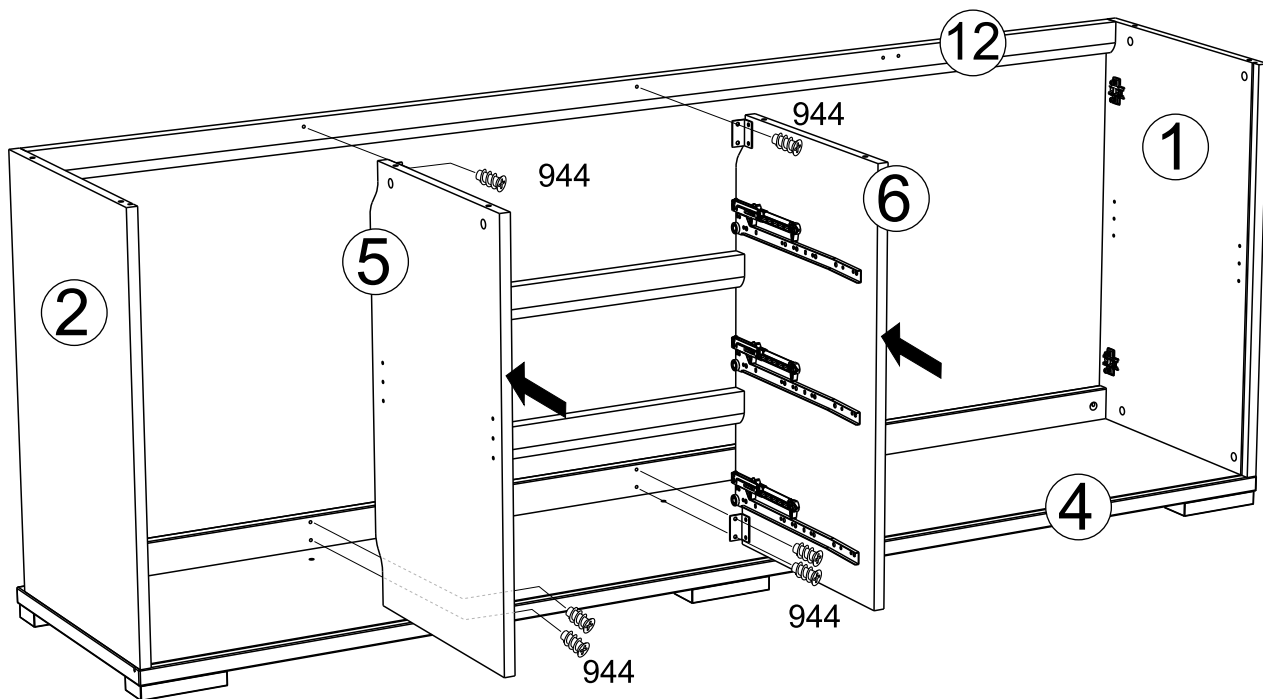
11

71	X4
	$L=12\text{mm}$ $\varnothing=15\text{mm}$

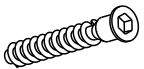
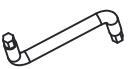



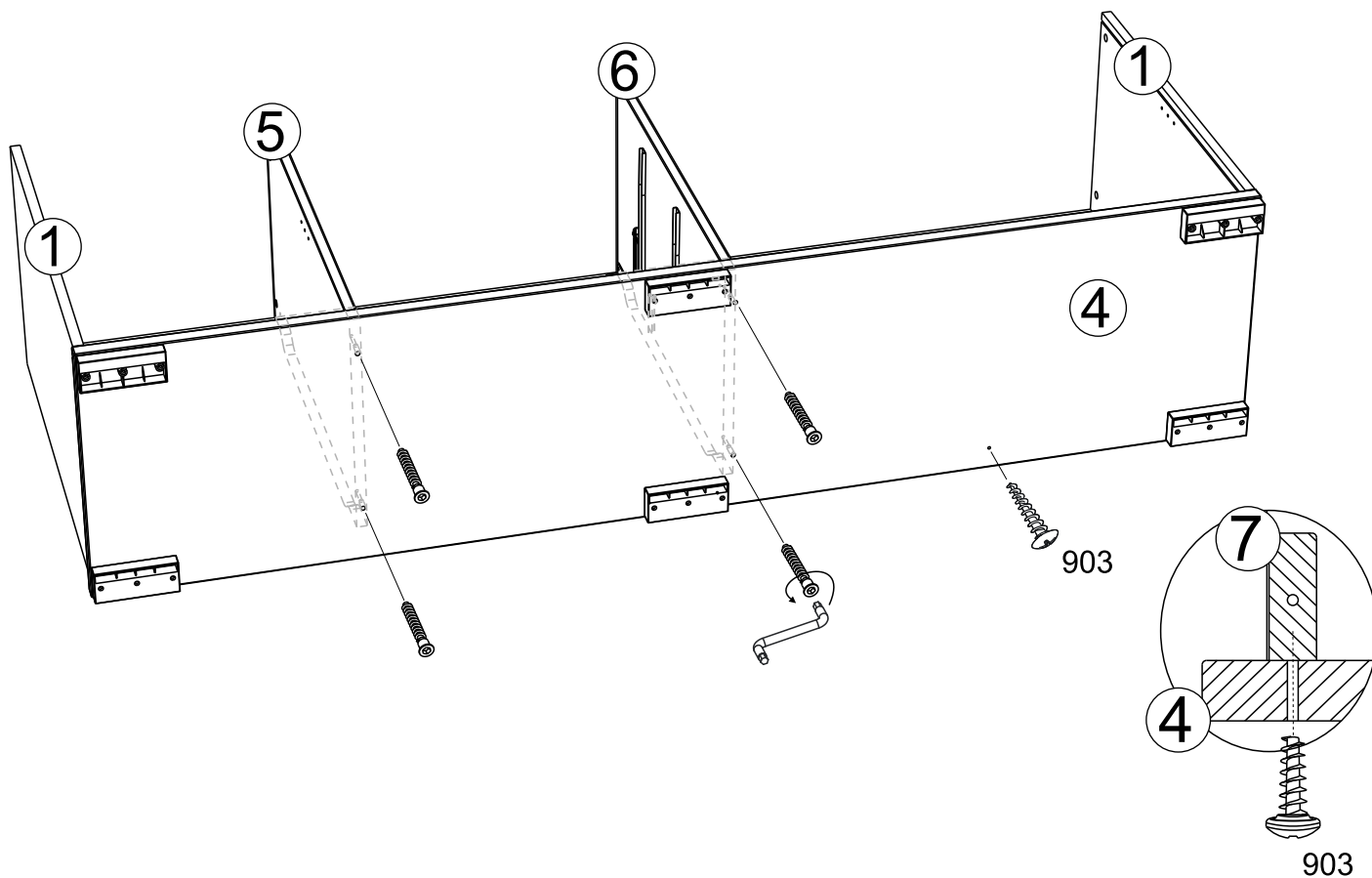
12

944	X6
 6.3*13	



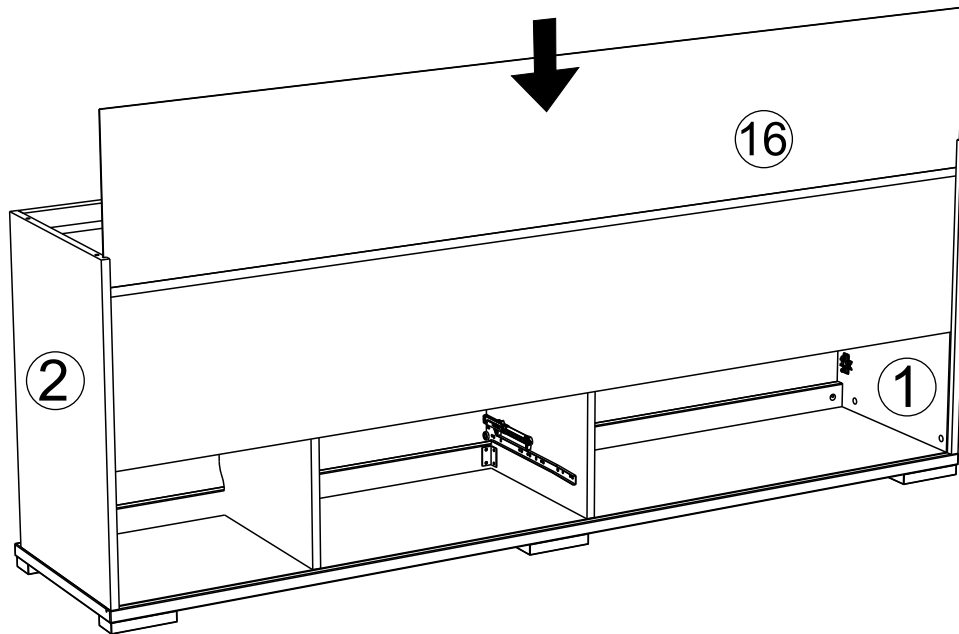
13

340750	X4	434	X1	903	X1
				 4x40	







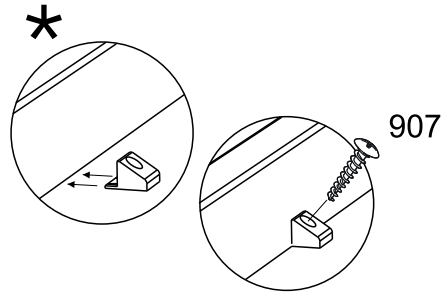
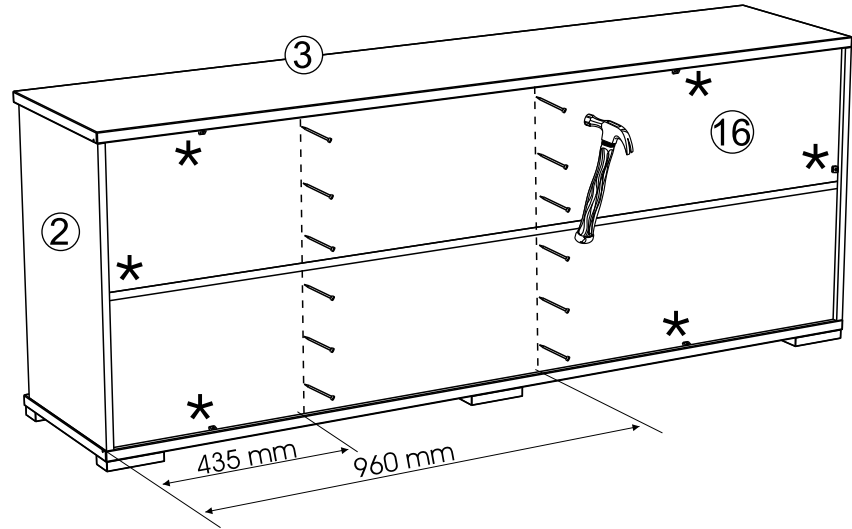
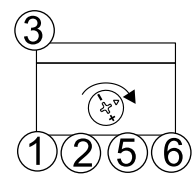
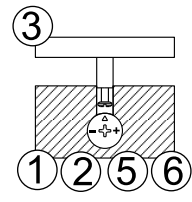
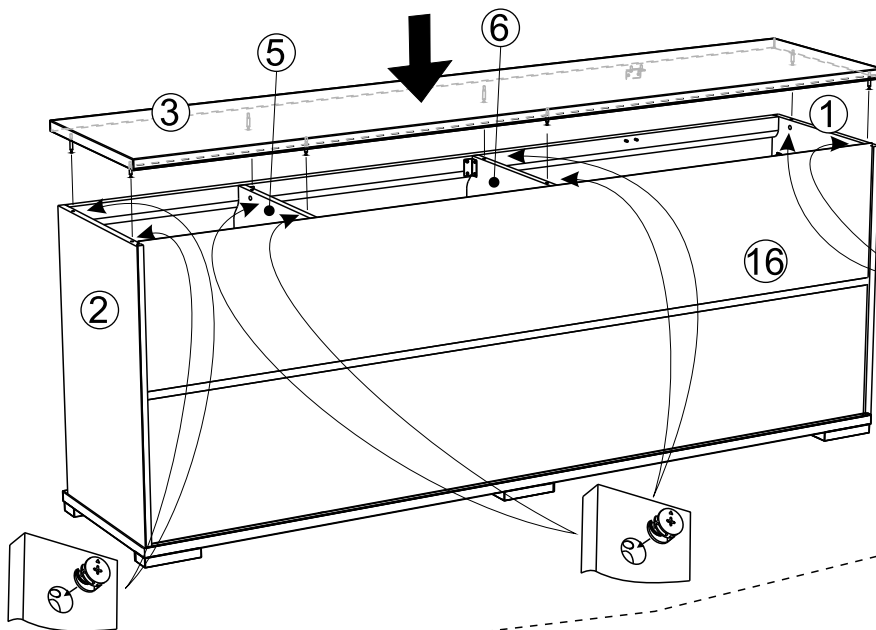
903

14



15

604757	X1	444	X6	907	X6	71	X8
							
x30				3x16		L=12mm Ø=15mm	

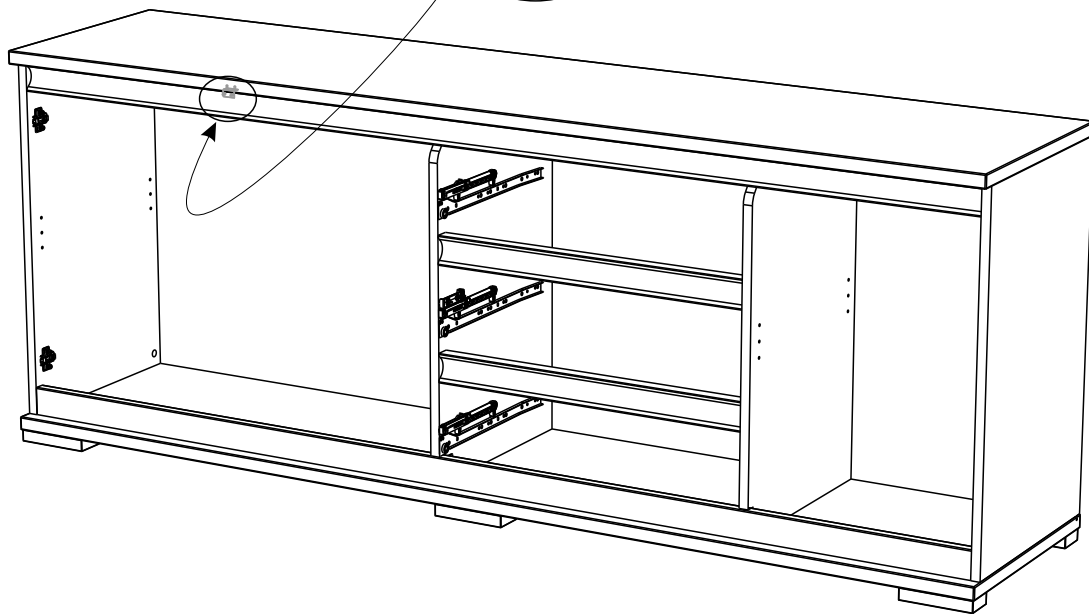
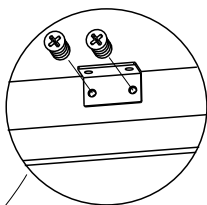


16

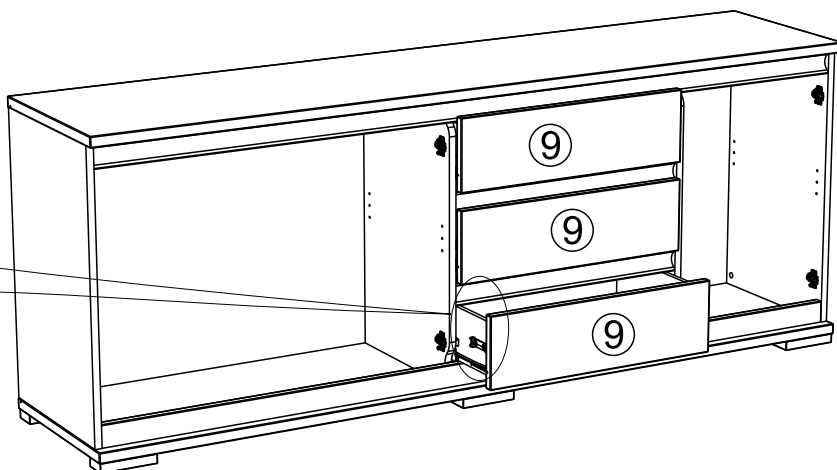
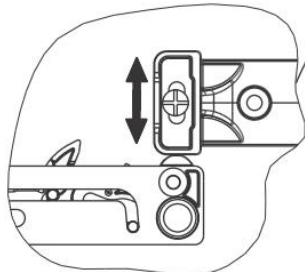
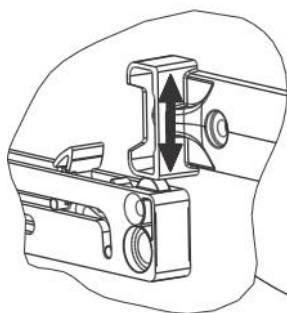
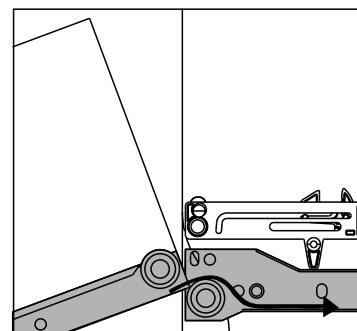
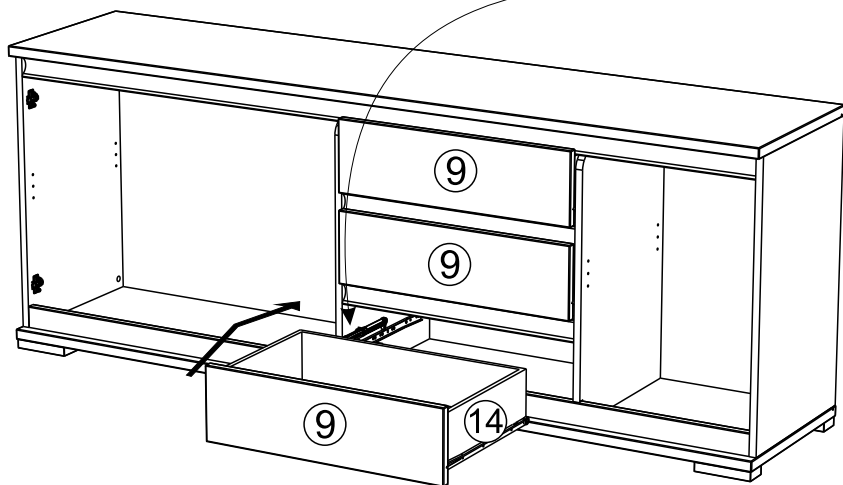
944 X2



6.3*13

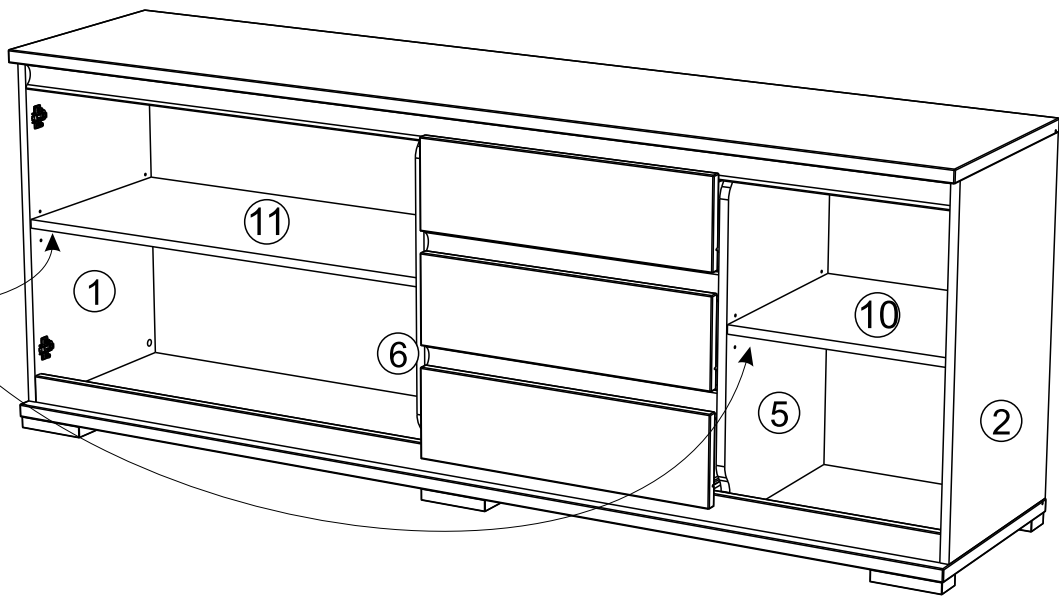
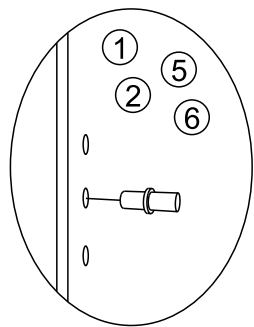
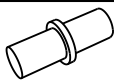


17



18

706 X8



19

