



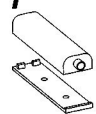







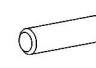
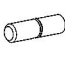


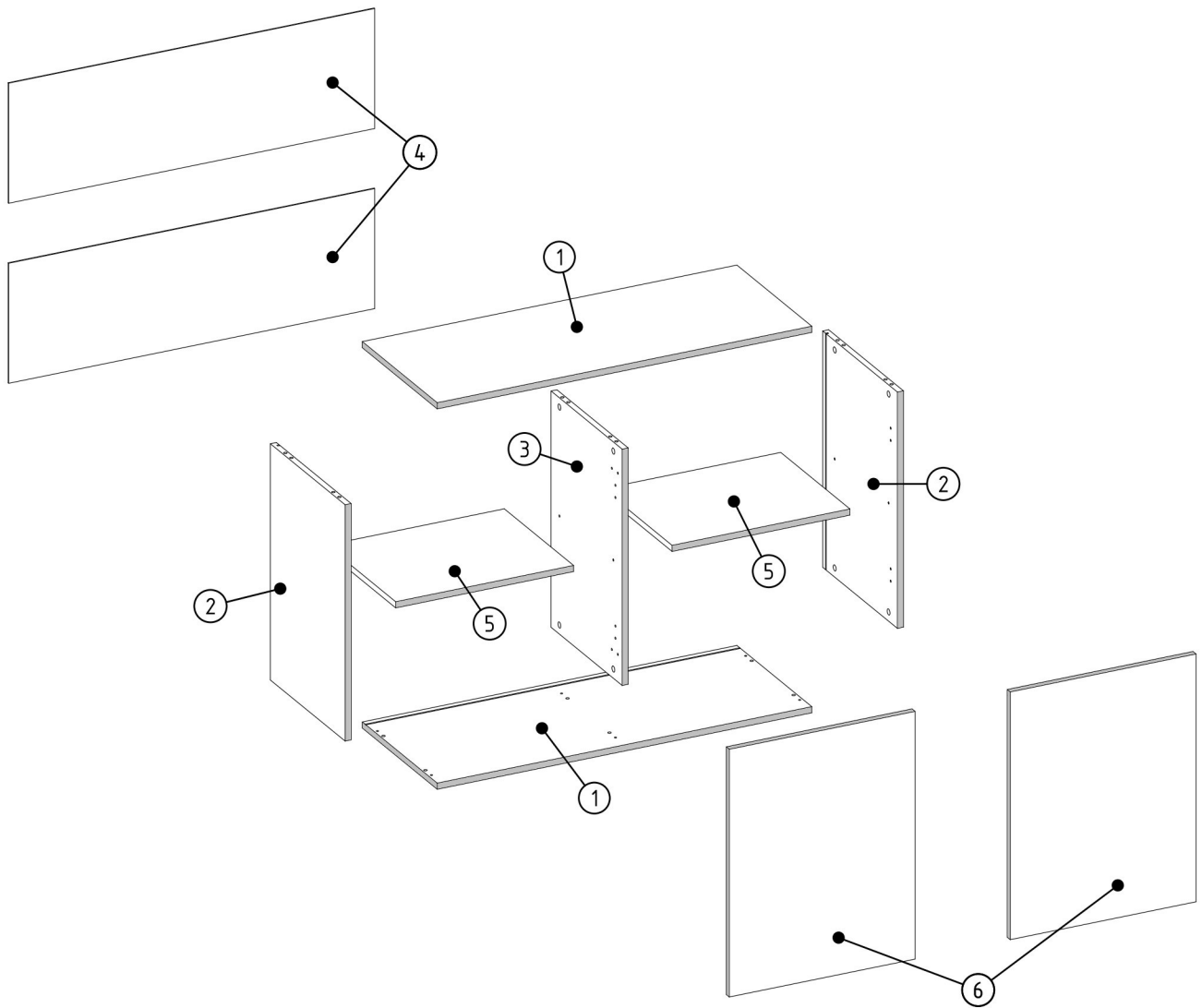


<b>B5</b>  x4	<b>T5</b>  x4	<b>B1</b>  CZ ø17/5-4mm x12	<b>B1</b>  S-A ø17/5-4mm x12	<b>V7</b>  x2	<b>S9</b>  4x16mm x16	<b>V13</b>  x1	<b>V30</b>  x16
<b>Z1</b>  x10	<b>A1</b>  ZP x4	<b>S1</b>  3,5x16mm x8	<b>M1</b>  12x15mm x12	<b>E1</b>  8x30mm x12	<b>V16</b>  5x16mm x8	<b>N1</b>  L=35mm x12	<b>R1</b>  6x8mm x4

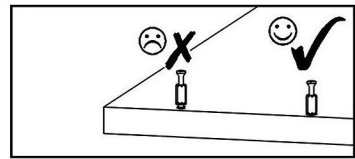
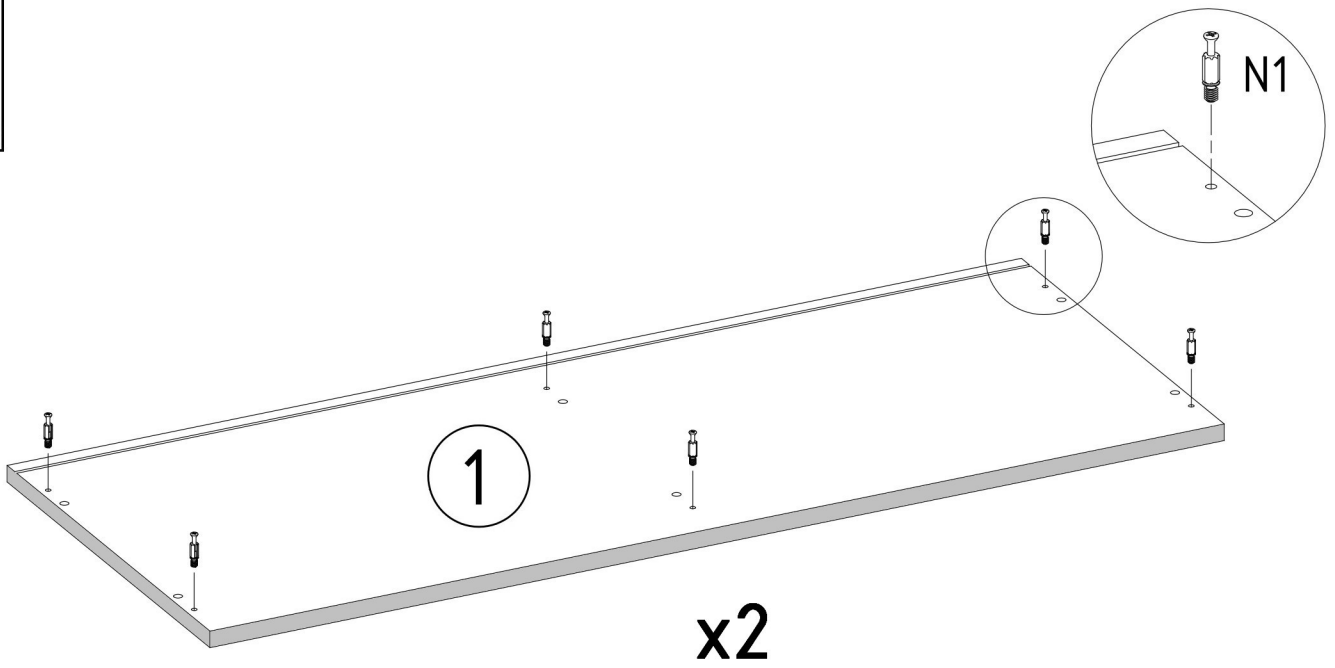



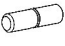
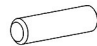
<b>1</b>	x	2
<b>2</b>	x	2
<b>3</b>	x	1
<b>4</b>	x	2
<b>5</b>	x	2
<b>6</b>	x	2

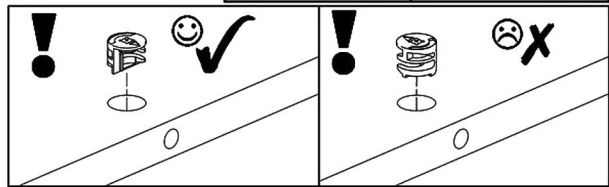
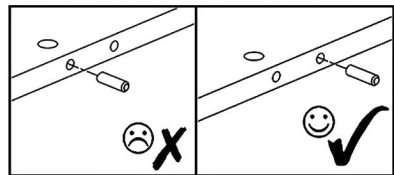
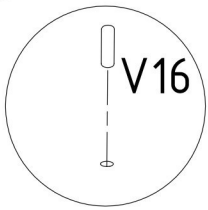
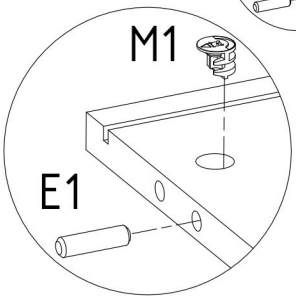
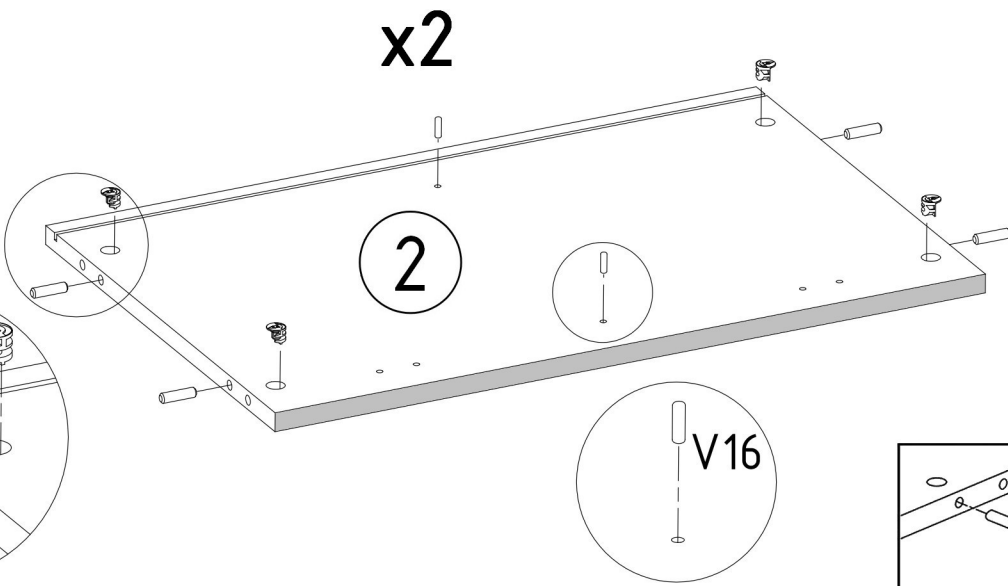
**N1**



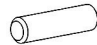


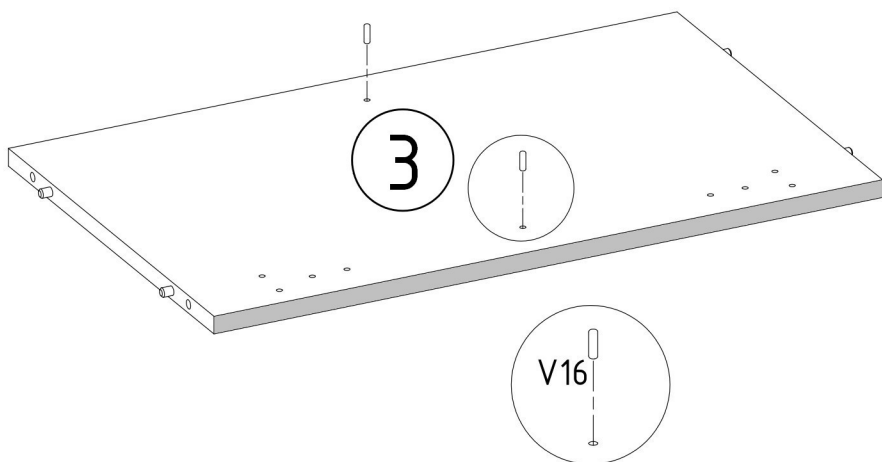
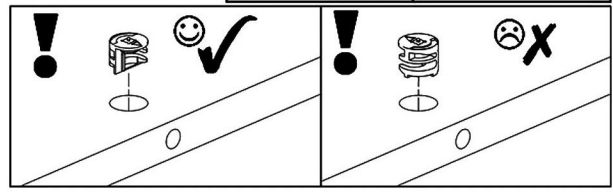
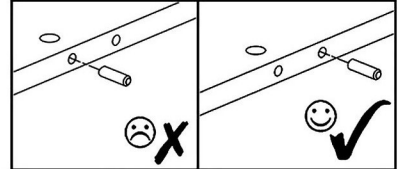
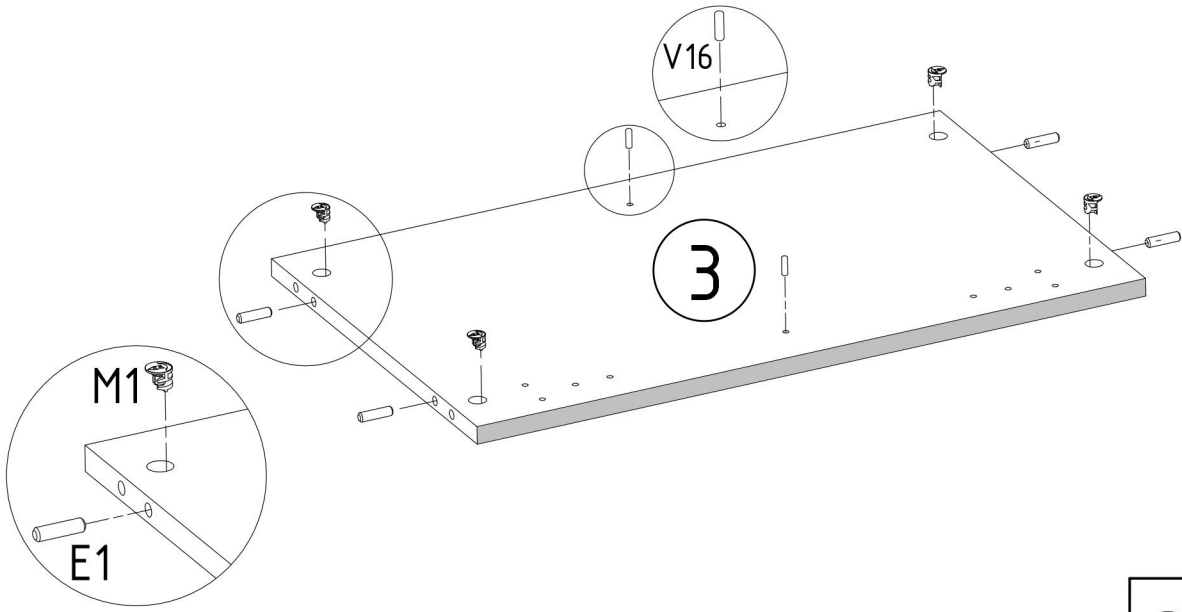
L=35mm **x12**

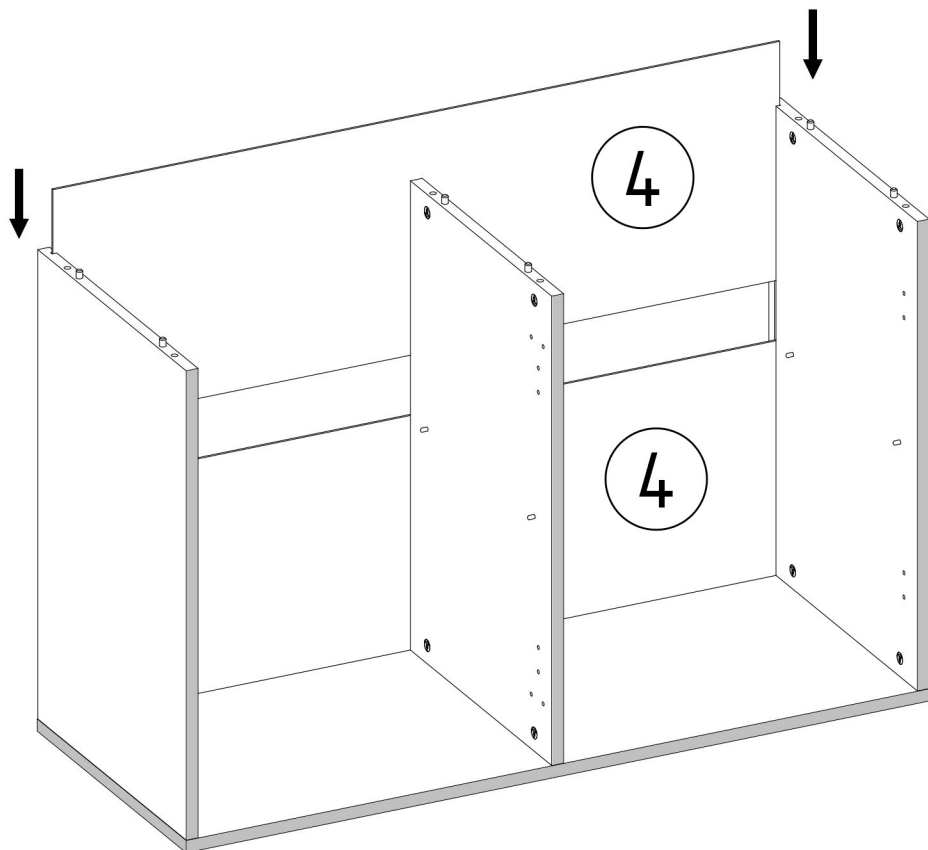
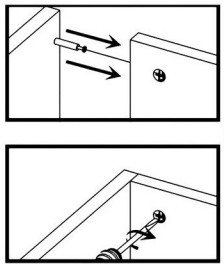
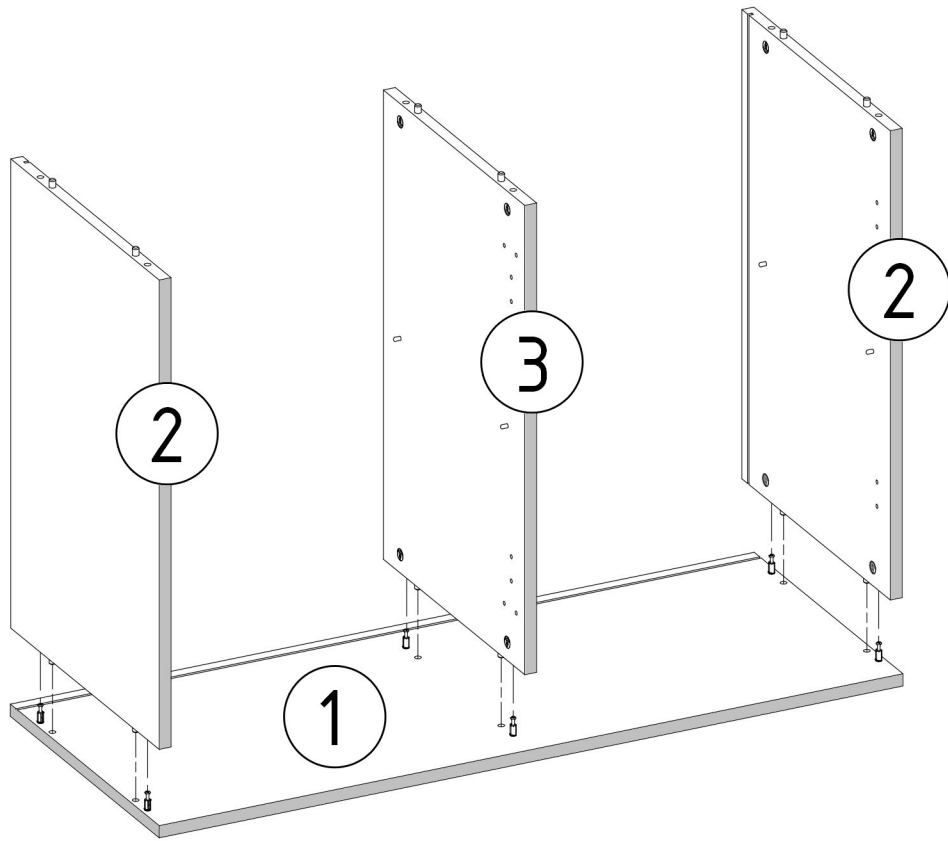


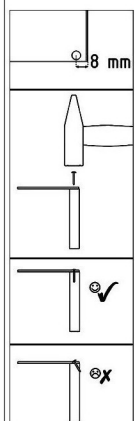
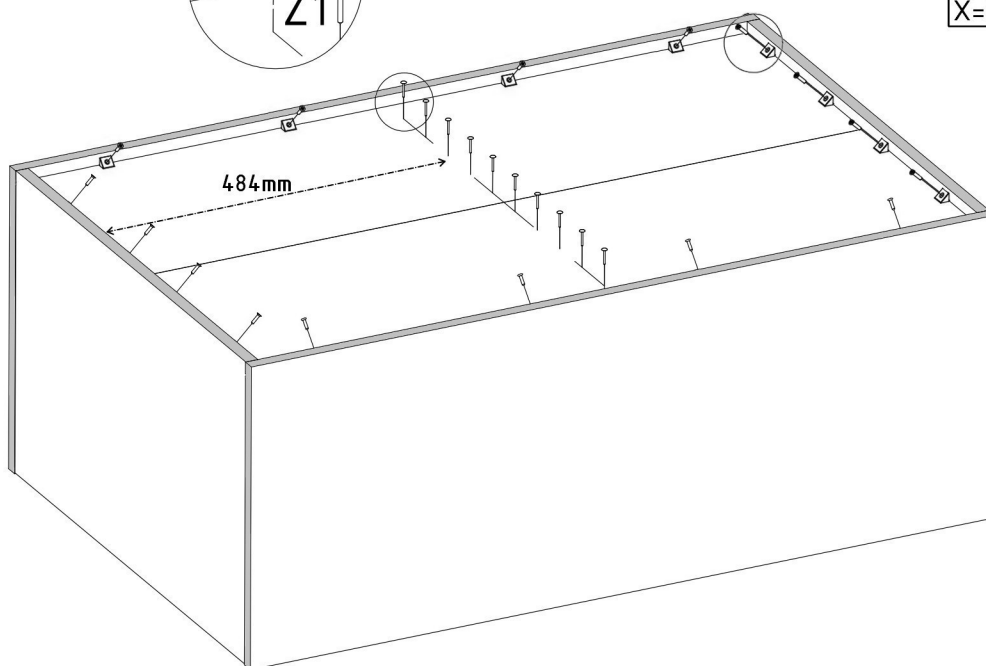
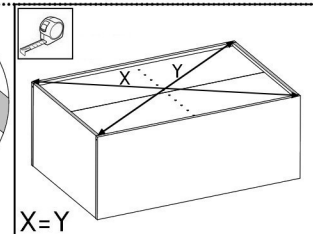
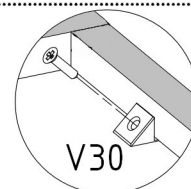
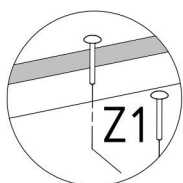
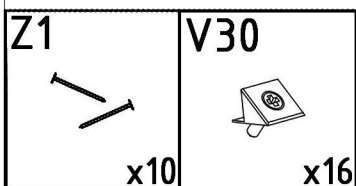
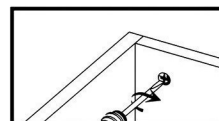
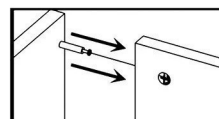
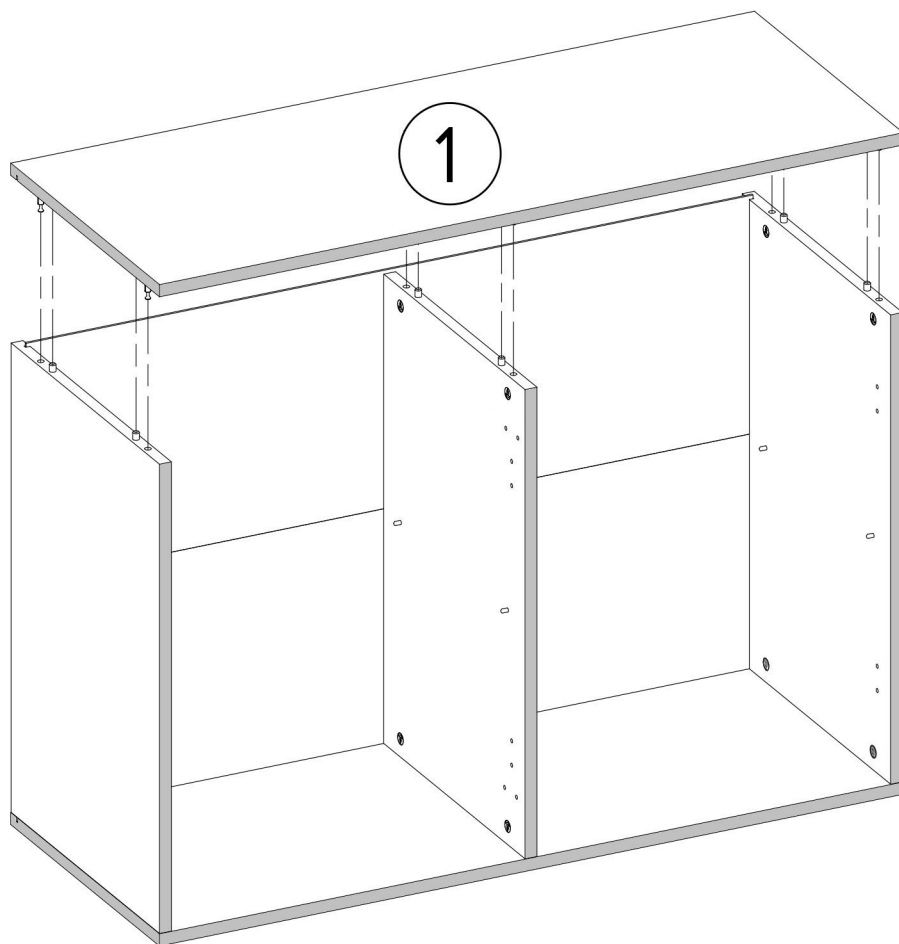
<b>M1</b>	<b>V16</b>	<b>E1</b>
		
12x15mm <b>x8</b>	5x16mm <b>x4</b>	8x30mm <b>x8</b>






<b>M1</b>  12x15mm X4	<b>V16</b>  5x16mm X4	<b>E1</b>  8x30mm X4
---	--	---







<b>B1</b>  ø17/5-4mm <b>x12</b>	<b>S9</b>  4x16mm <b>x16</b>	<b>T5</b>  <b>x4</b>
---	---	--

