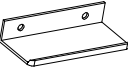
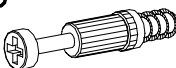


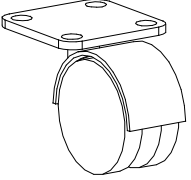

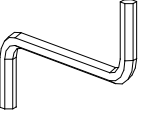
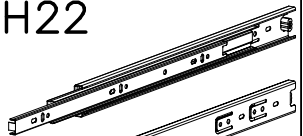



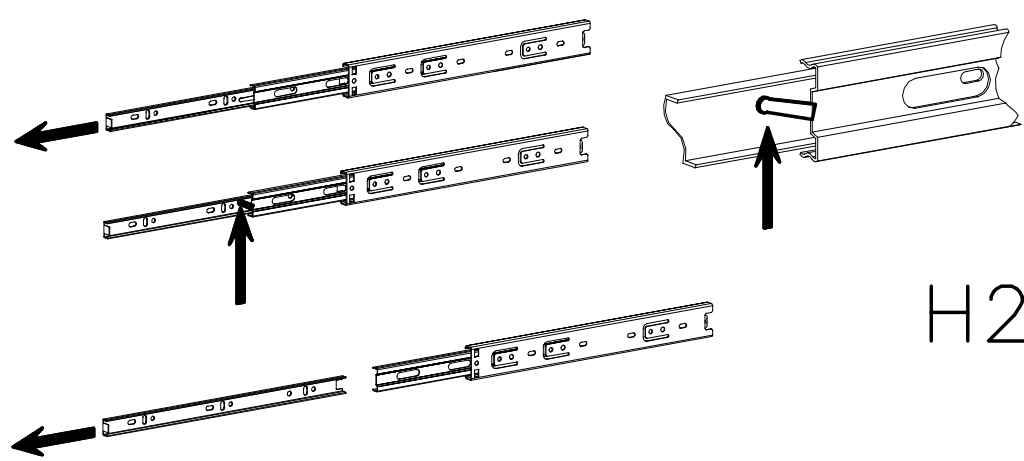
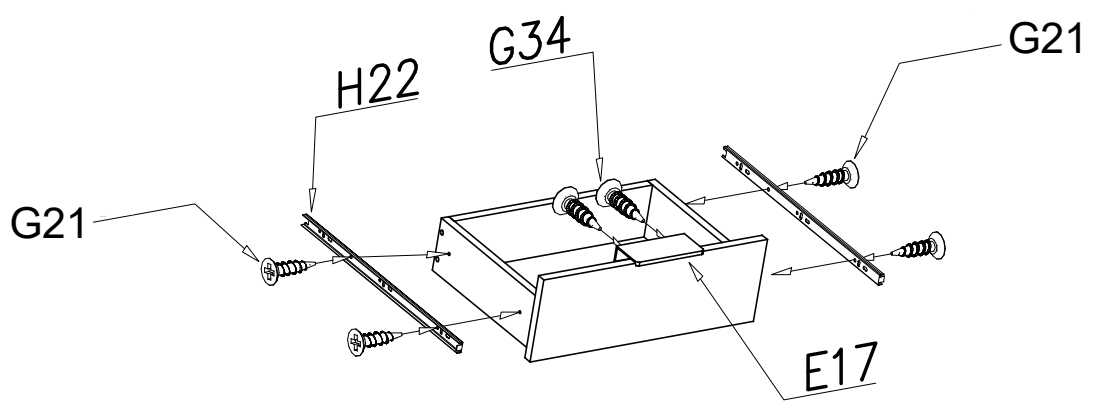
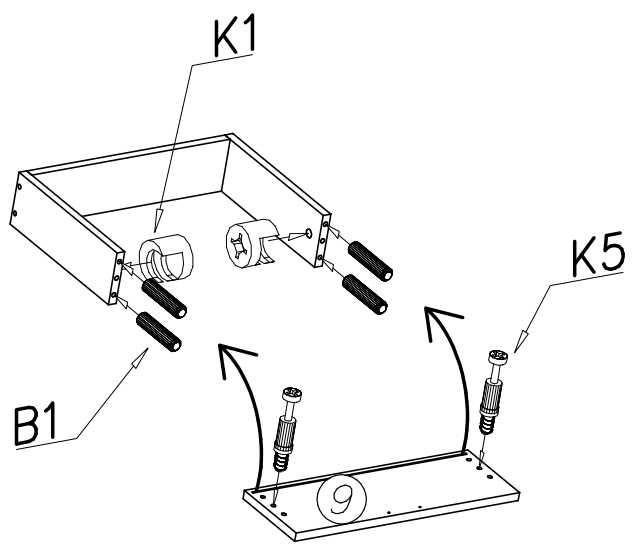
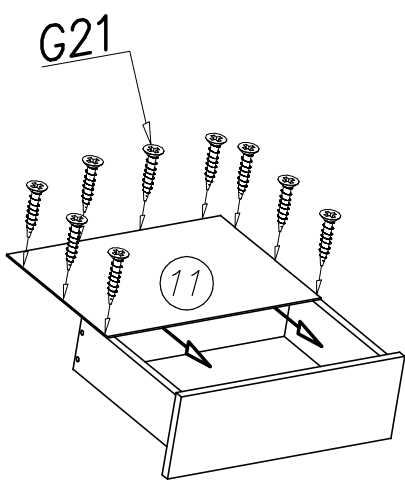
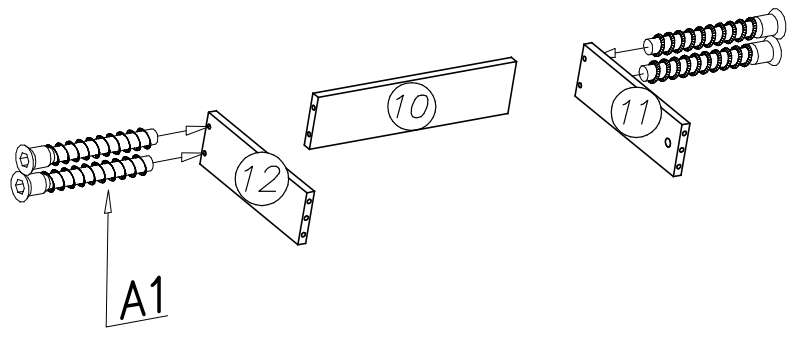
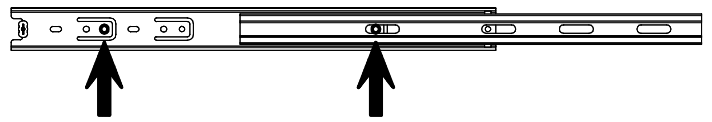
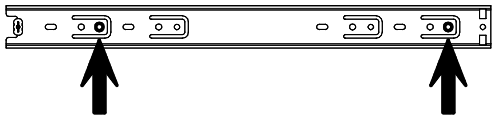


E17  x3	K5  x14	G21  3x16 x44		
G34  3,5x16 x34	P7  x4	K1  ø15x13,2 x14	W2  4mm x1	H22  x3
A1  ø7x50 x12		I7  ø18 x14	B1  ø8x35 x20	

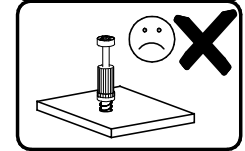
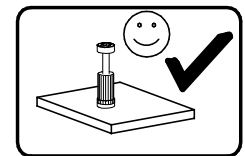
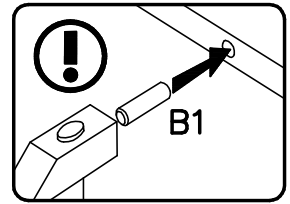
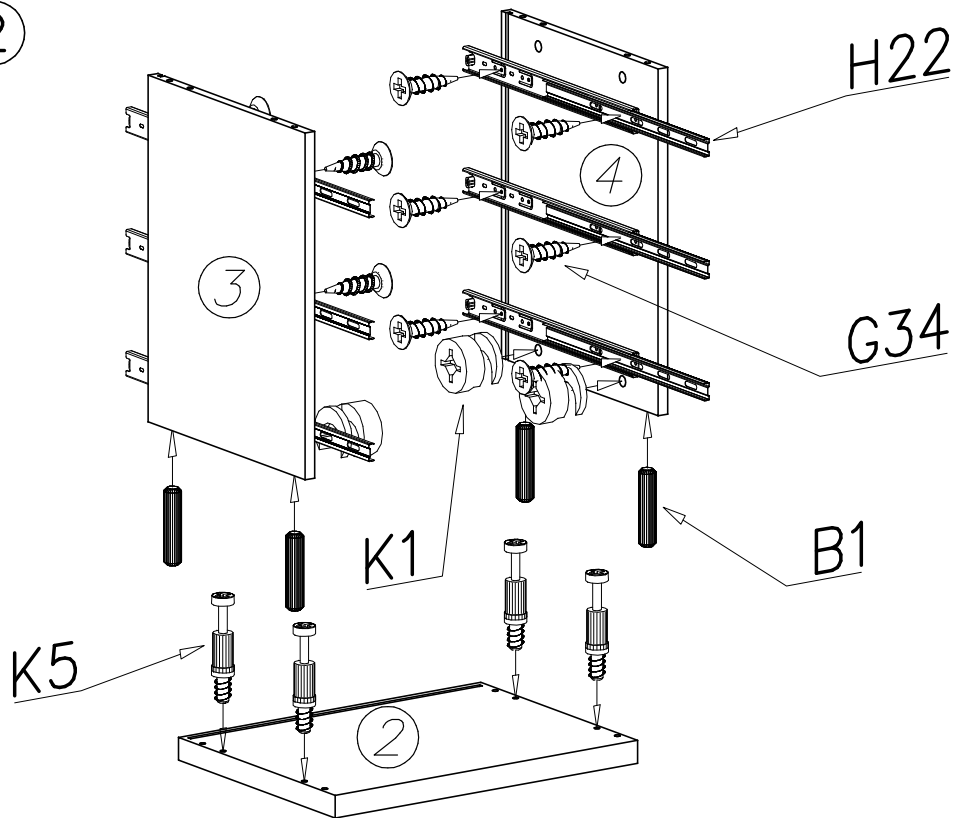
1



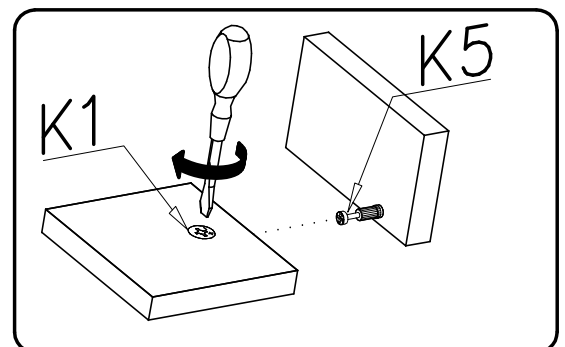
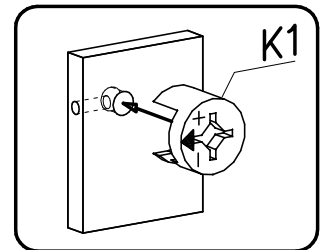
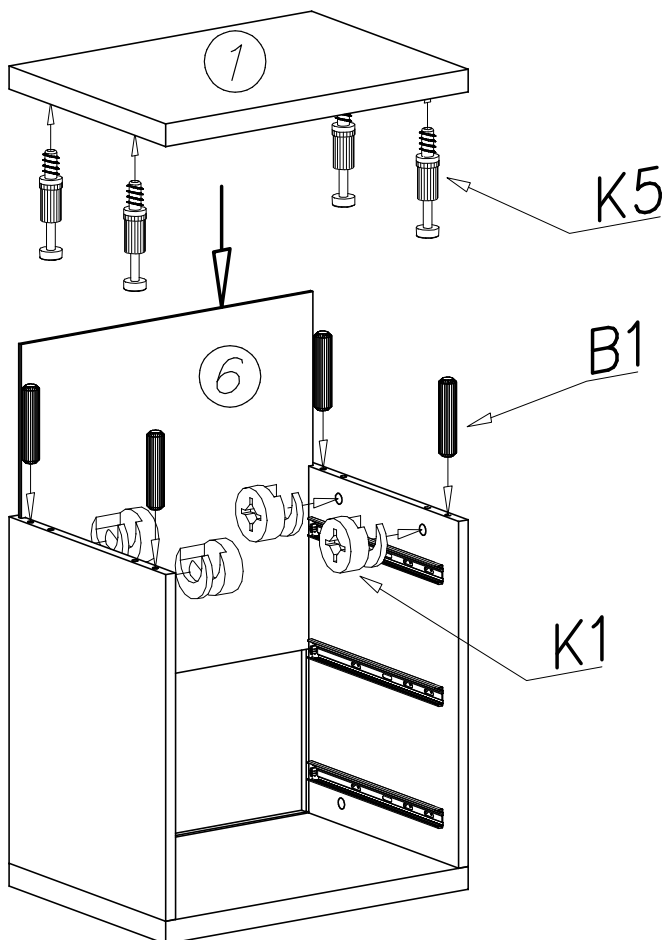
H22



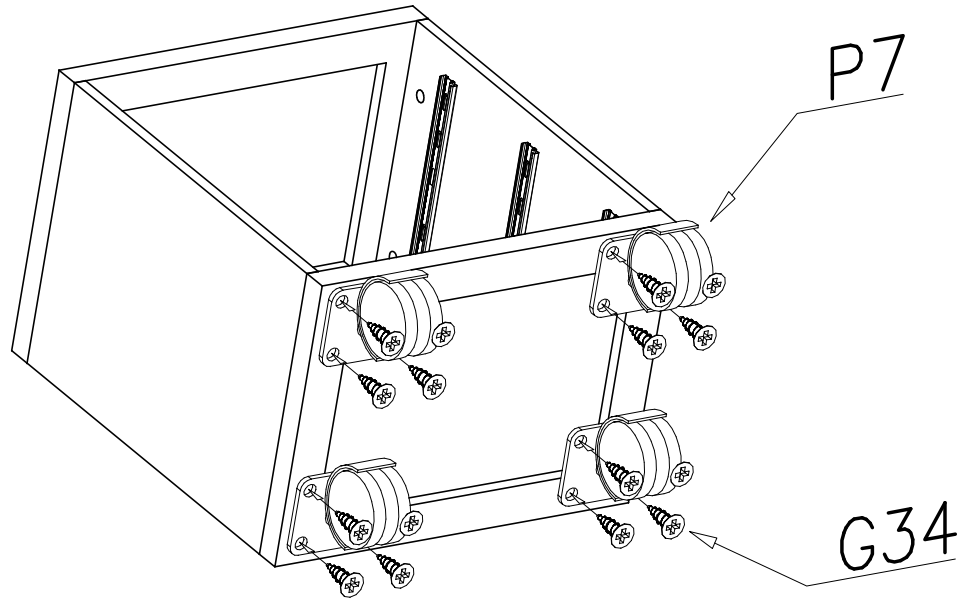
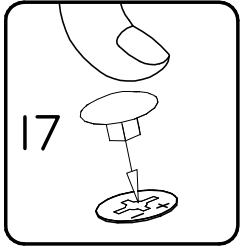
2



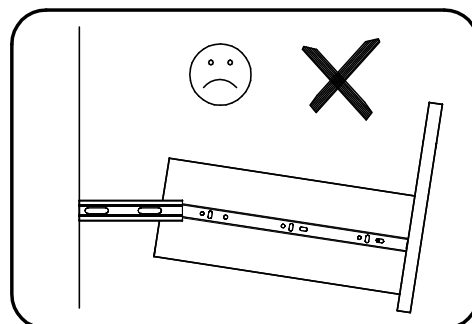
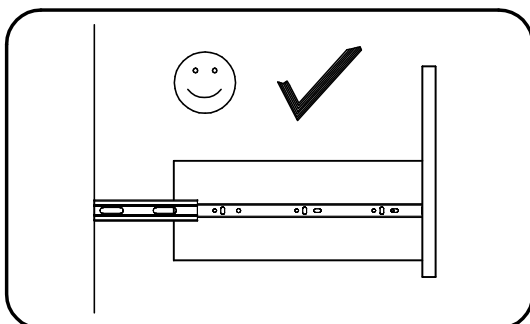
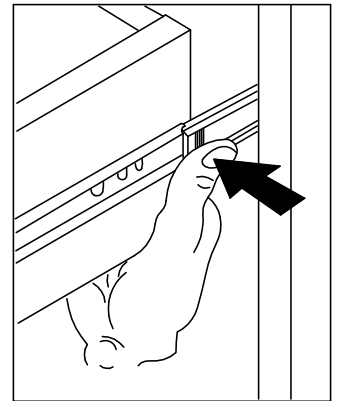
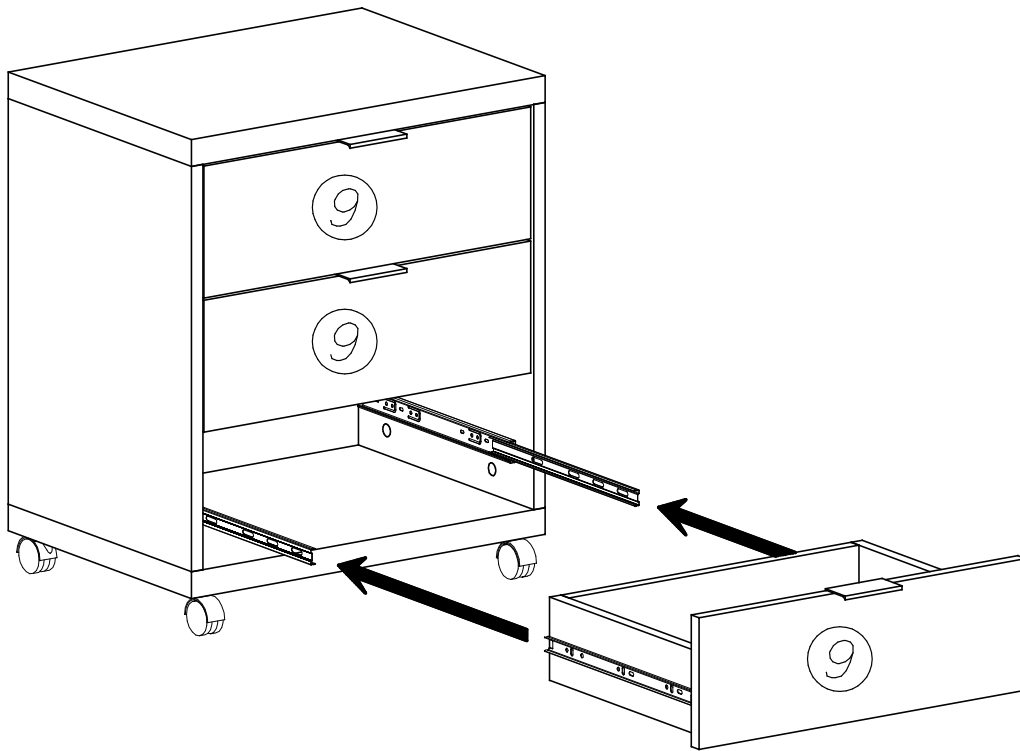
3

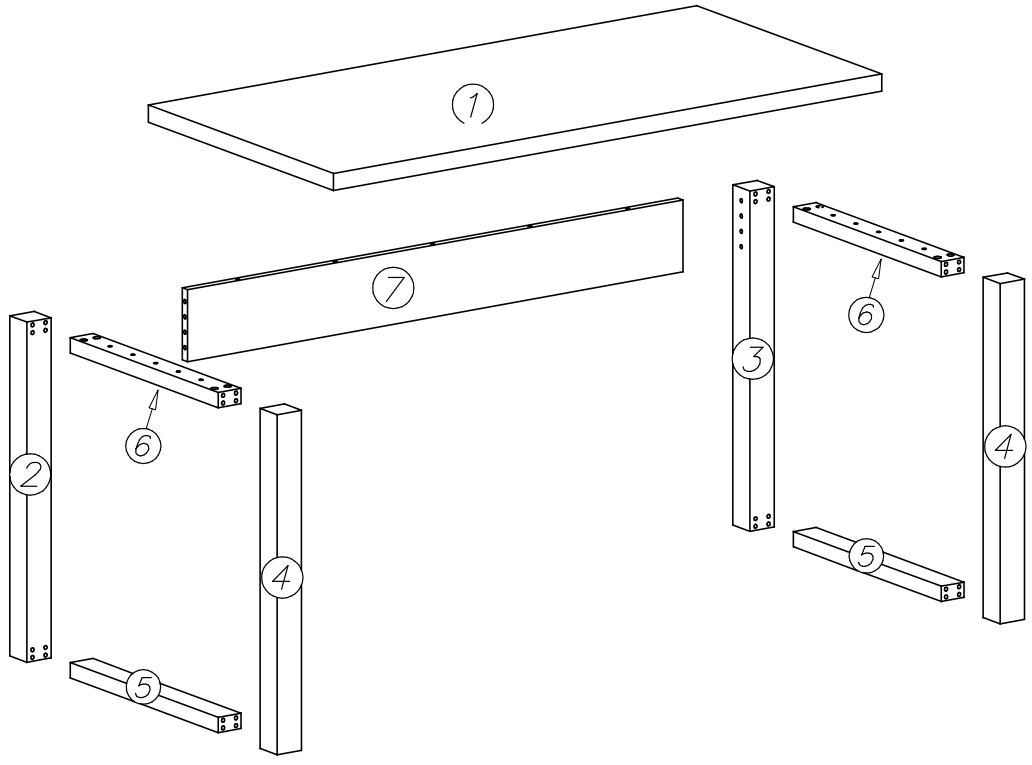
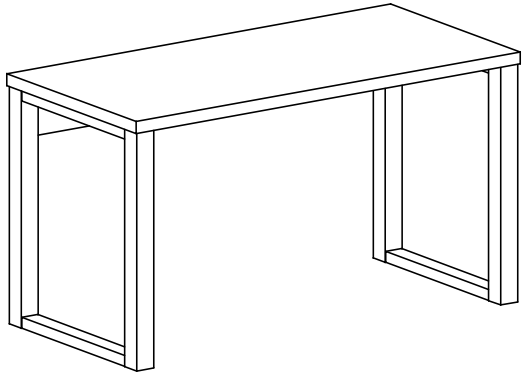
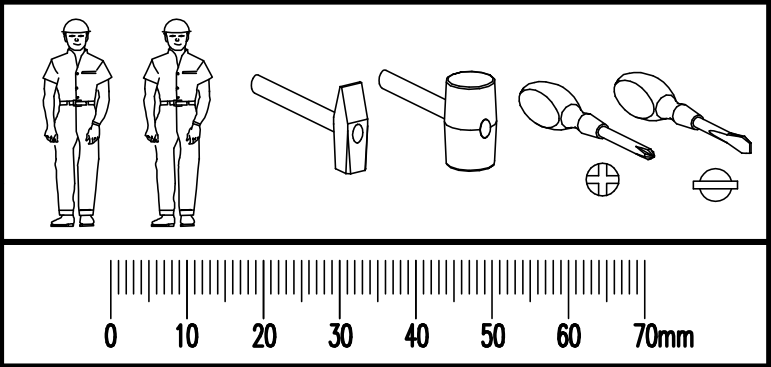
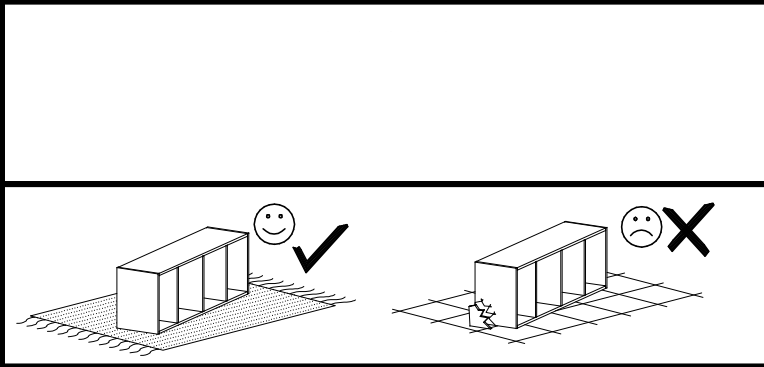


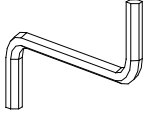
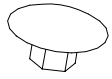
4

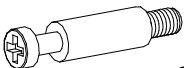
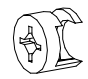


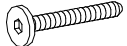
5







W2  x1	I7a  ø18 x7
---	---

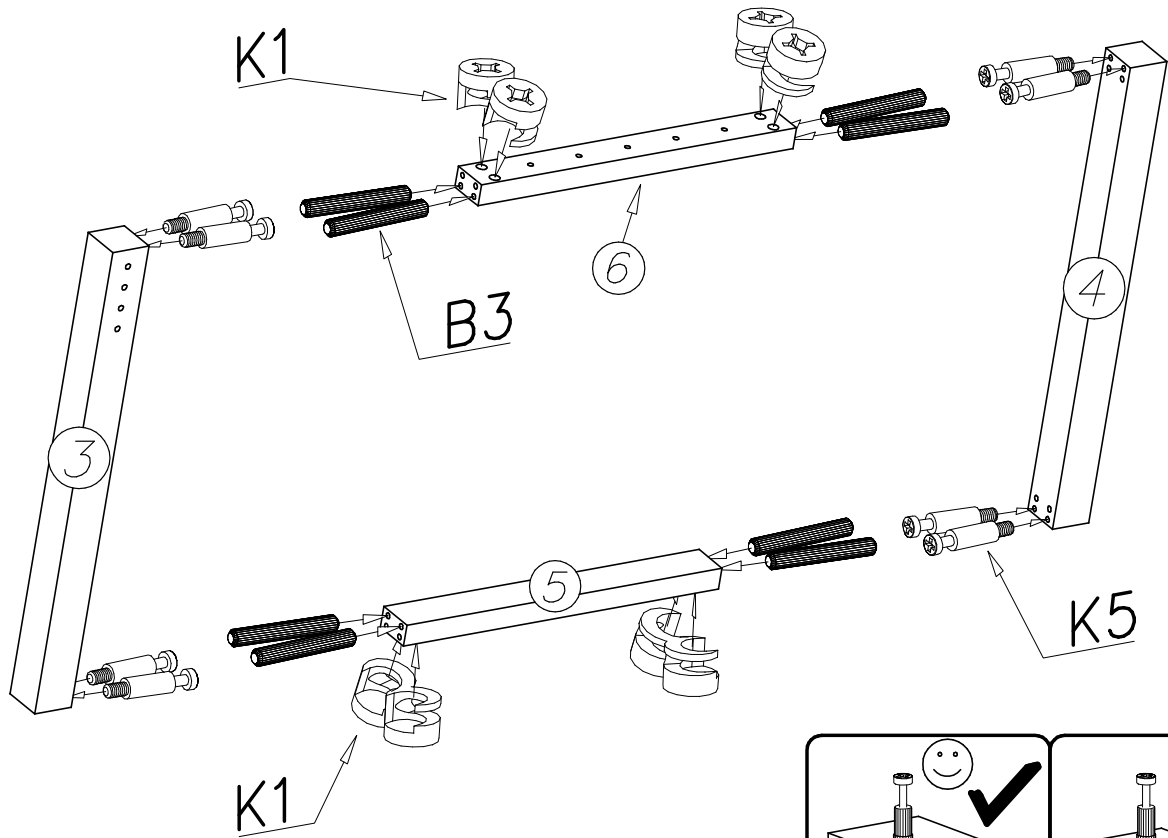
K5  x23	K1  ø15x12 x23
---	--

N31  M8x50 x6

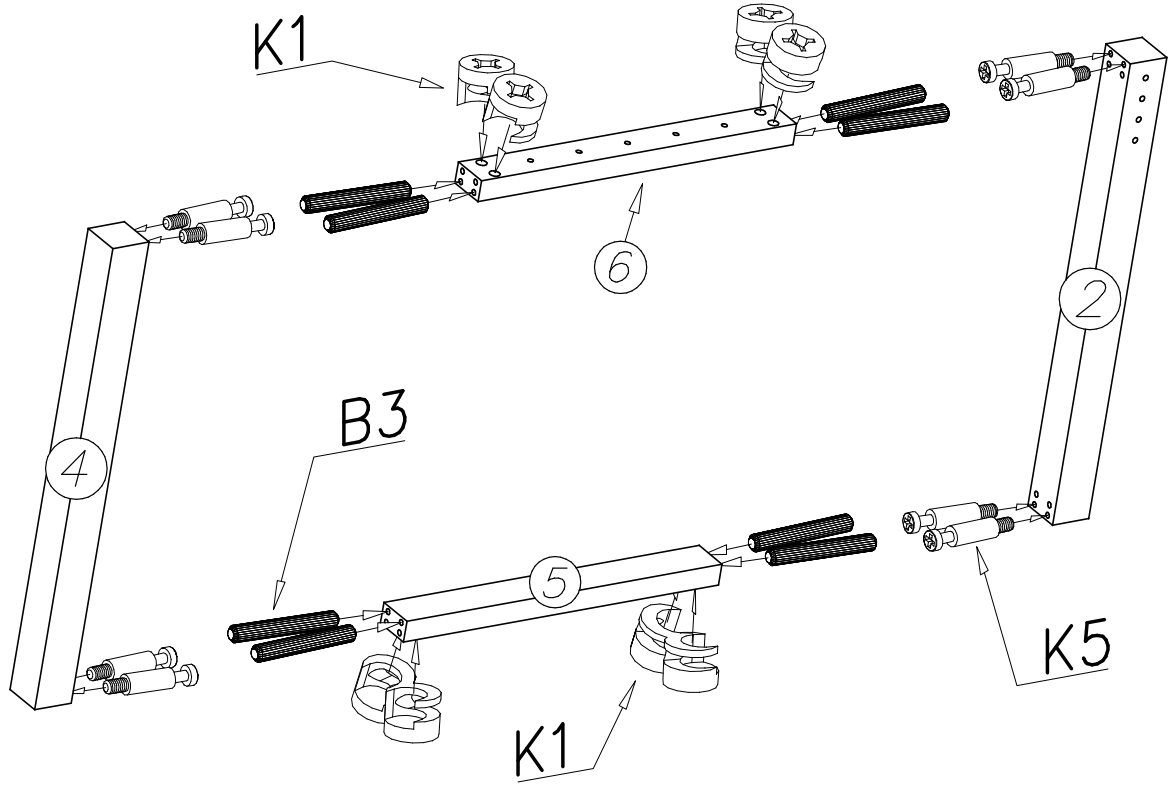
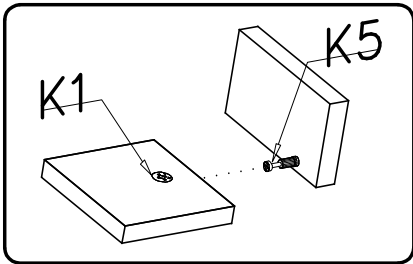
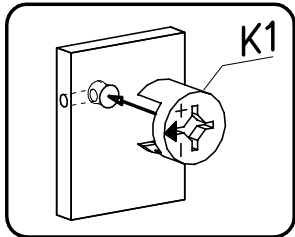
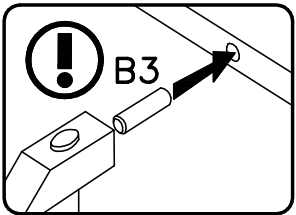
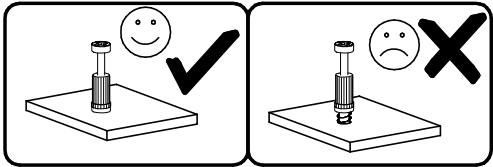
B3  ø8x50 x20

B1  ø8x35 x6
--

1



K1

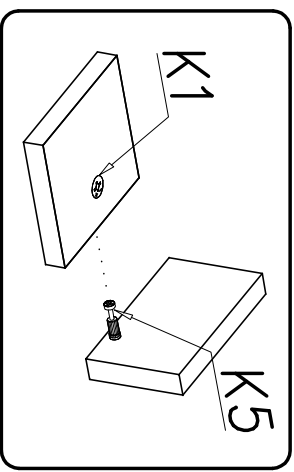
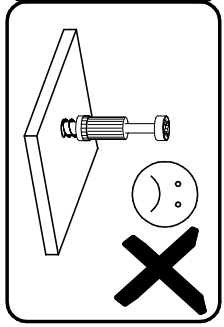
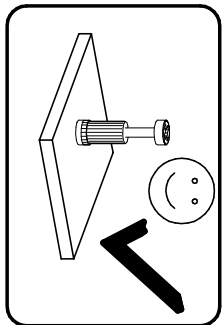
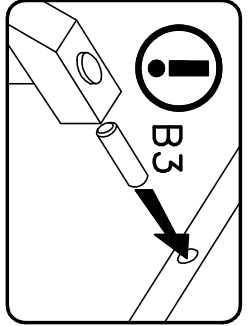
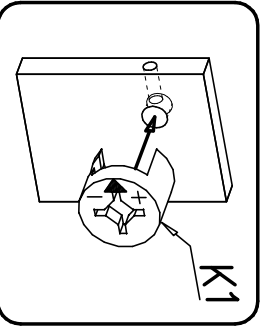
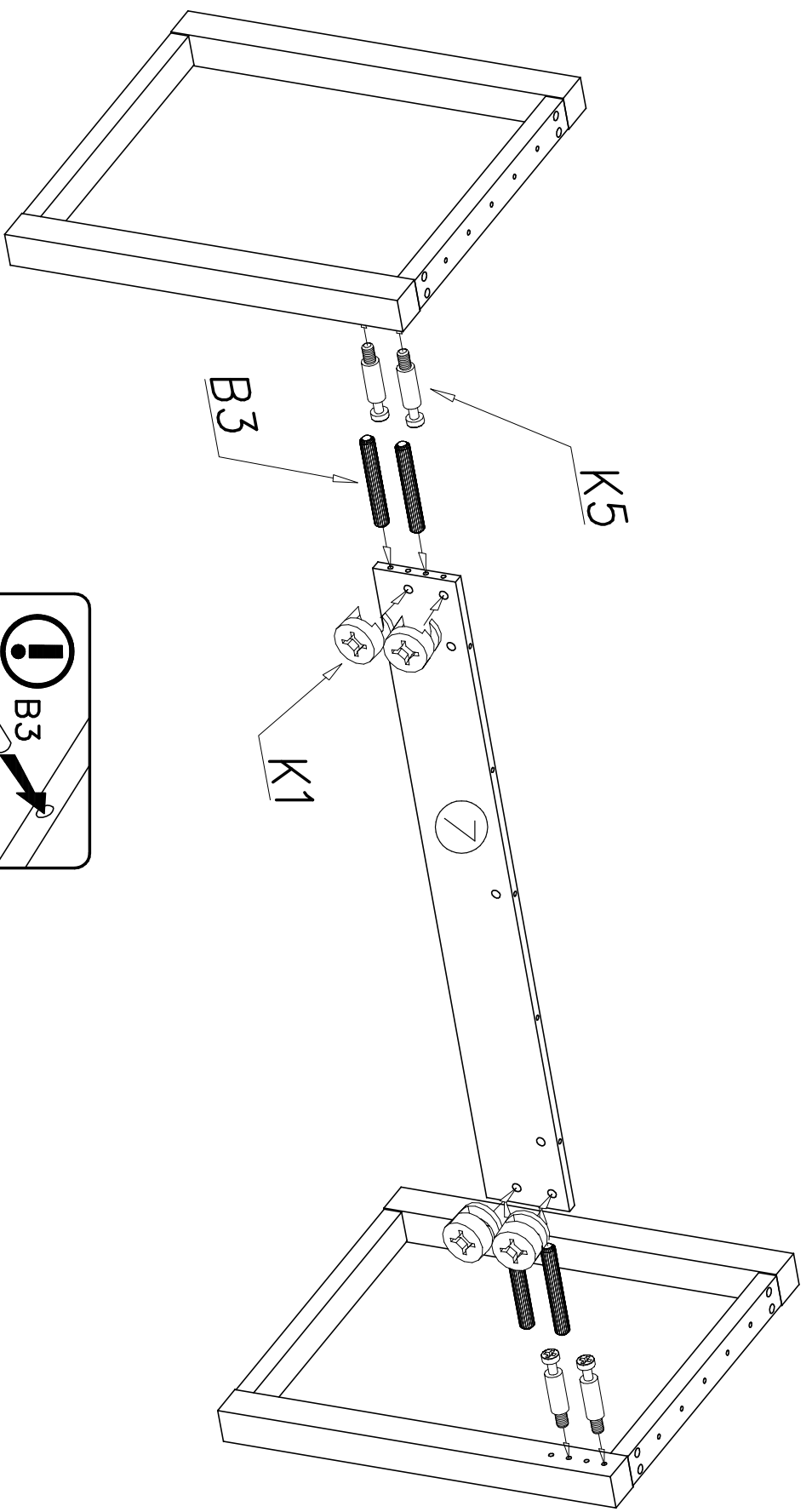


K1

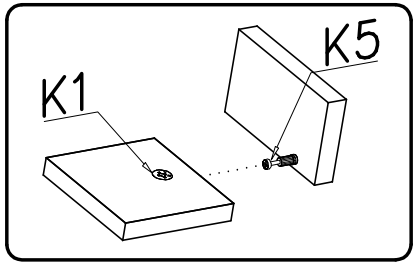
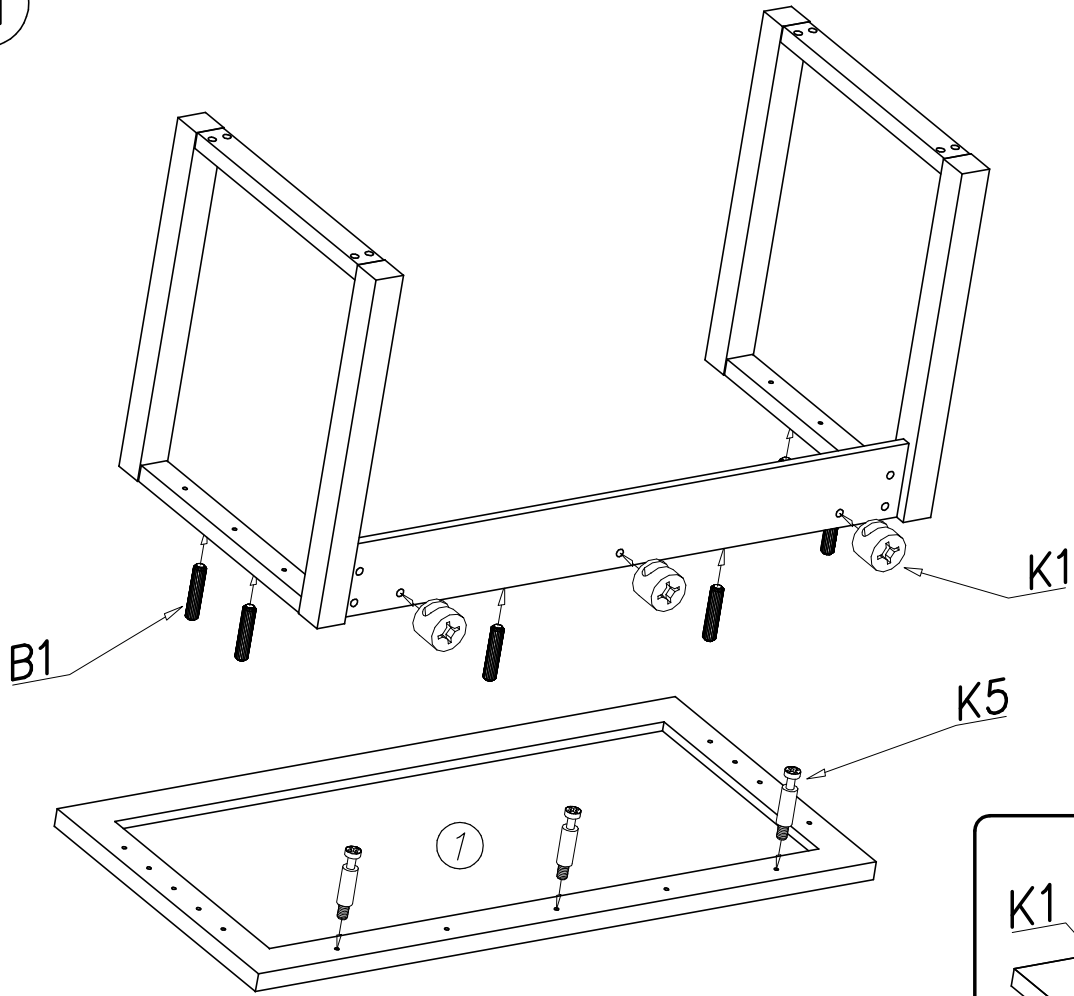
B3

K1

K5



III



IV

