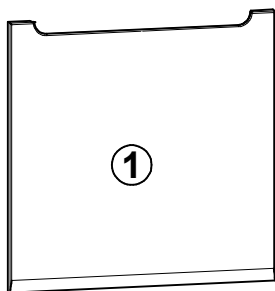
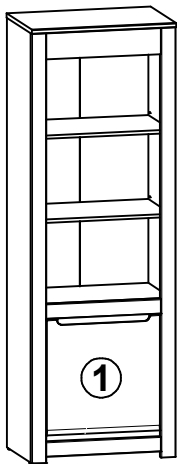
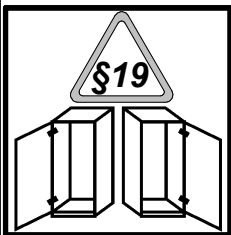
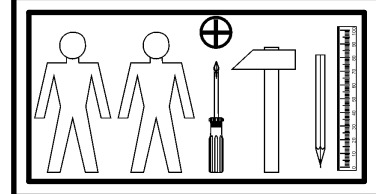
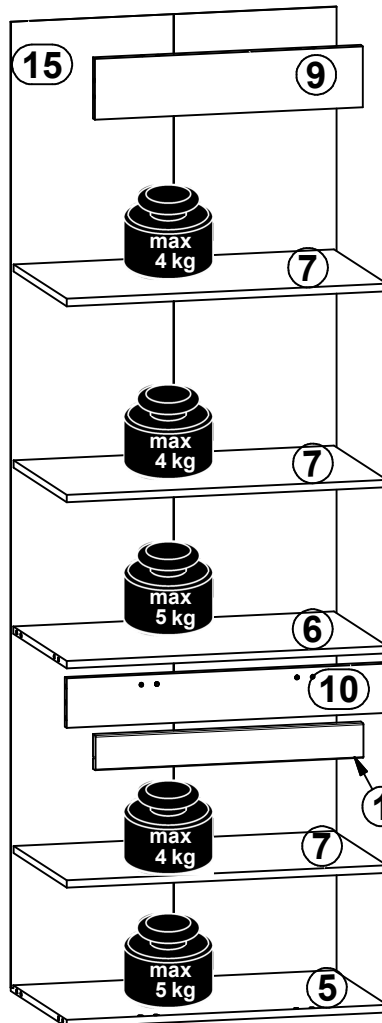
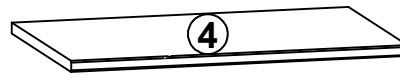
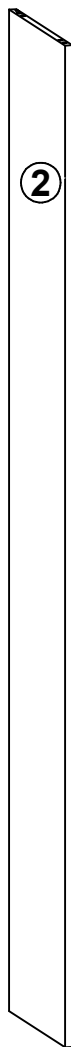
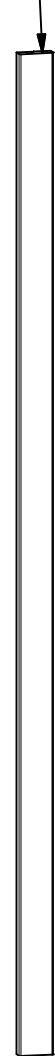


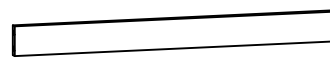
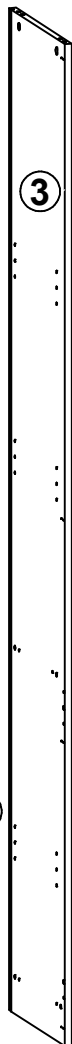
A	B	C	D	
1	S407-0010	543	544	3/3
2	S404-1023	2018	428	1/3
3	S404-1024	2018	428	1/3
4	S404-2006	691	454	2/3
5	S404-3010	659	428	2/3
6	S404-3011	659	408	2/3
7	S404-3012	658	407	2/3
8	S404-4008	659	60	2/3
9	S404-4009	550	123	2/3
10	S404-4010	659	100	2/3
11	S404-5014	2018	70	1/3
12	S404-5015	2018	70	1/3
13	S404-5016	550	70	2/3
14	S404-5017	550	70	2/3
15	S404-9306	1946	669	1/3



11



12

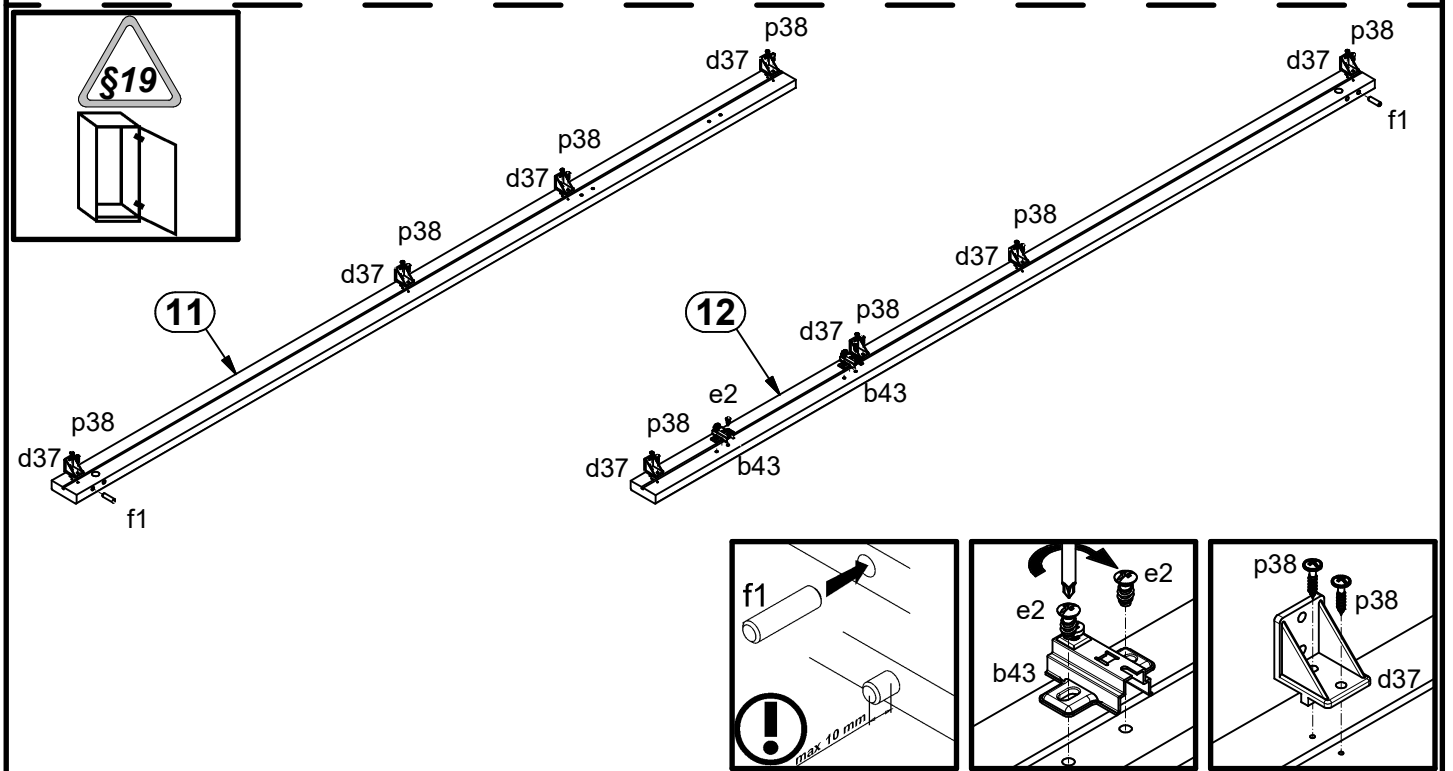
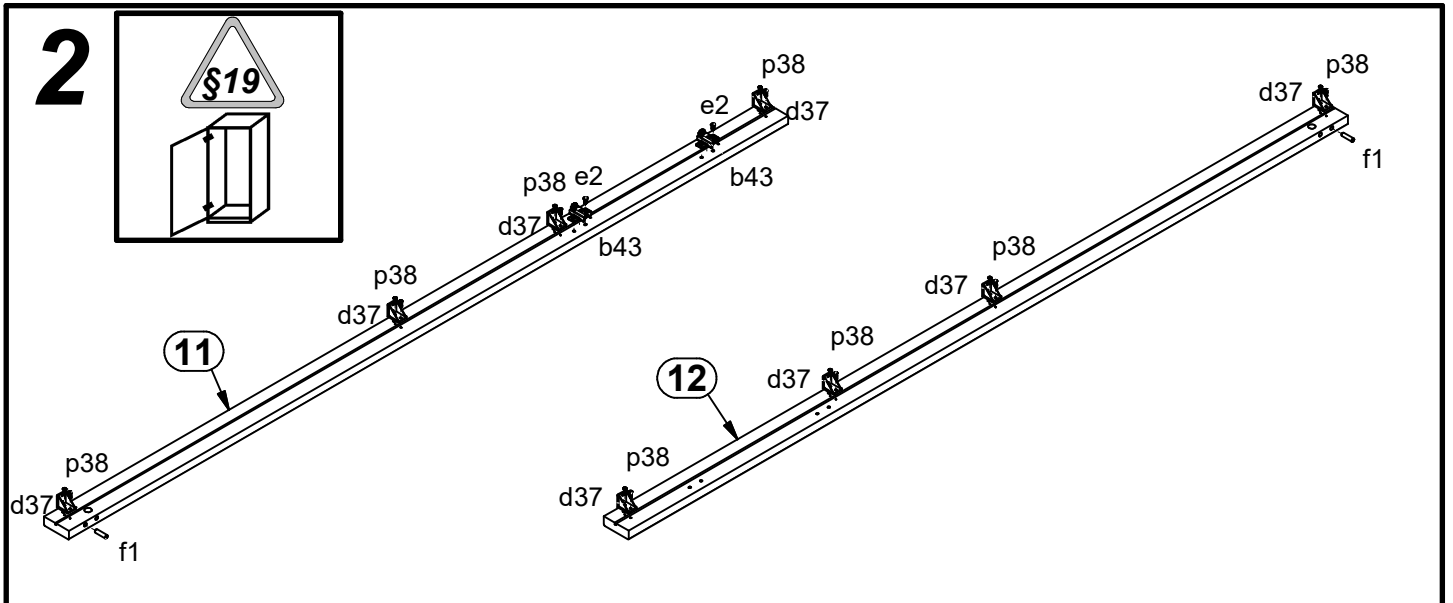
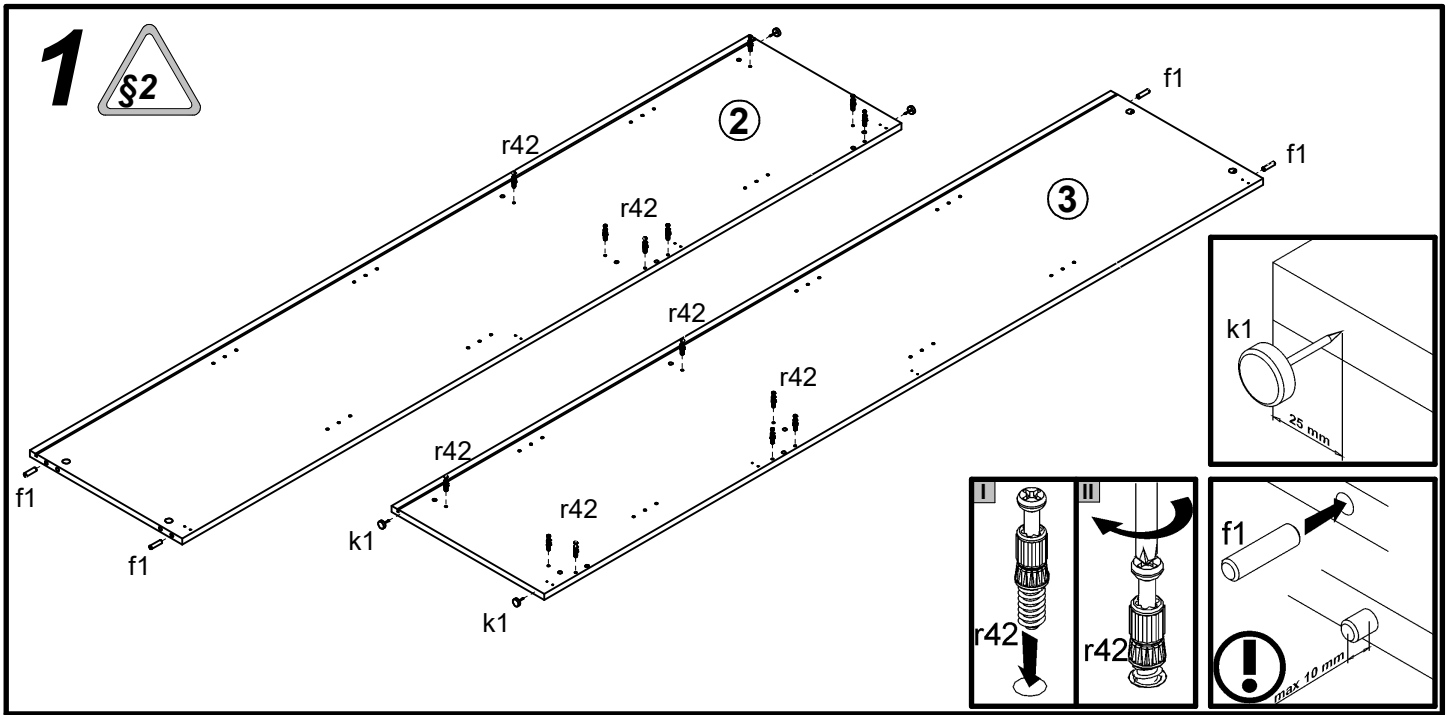


8

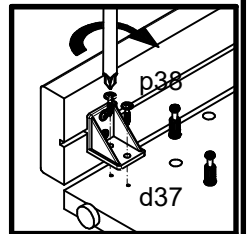
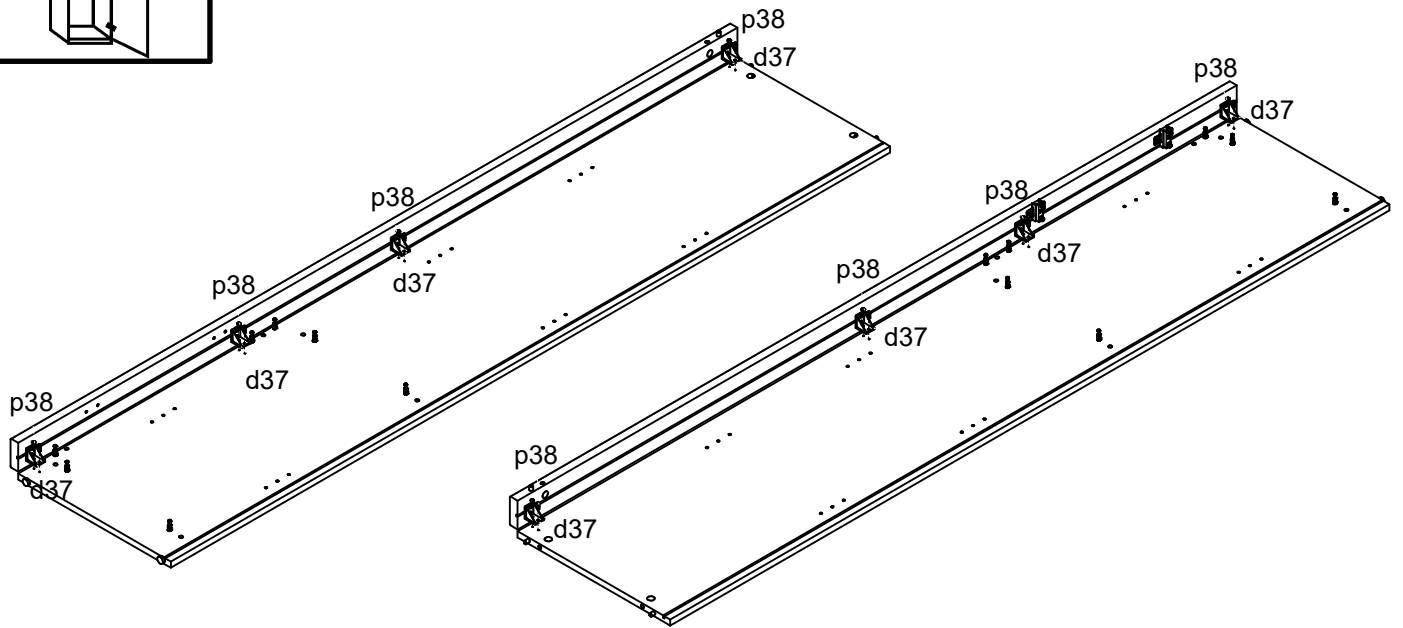
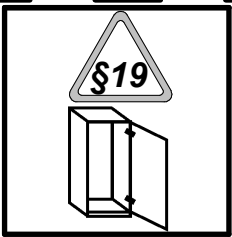
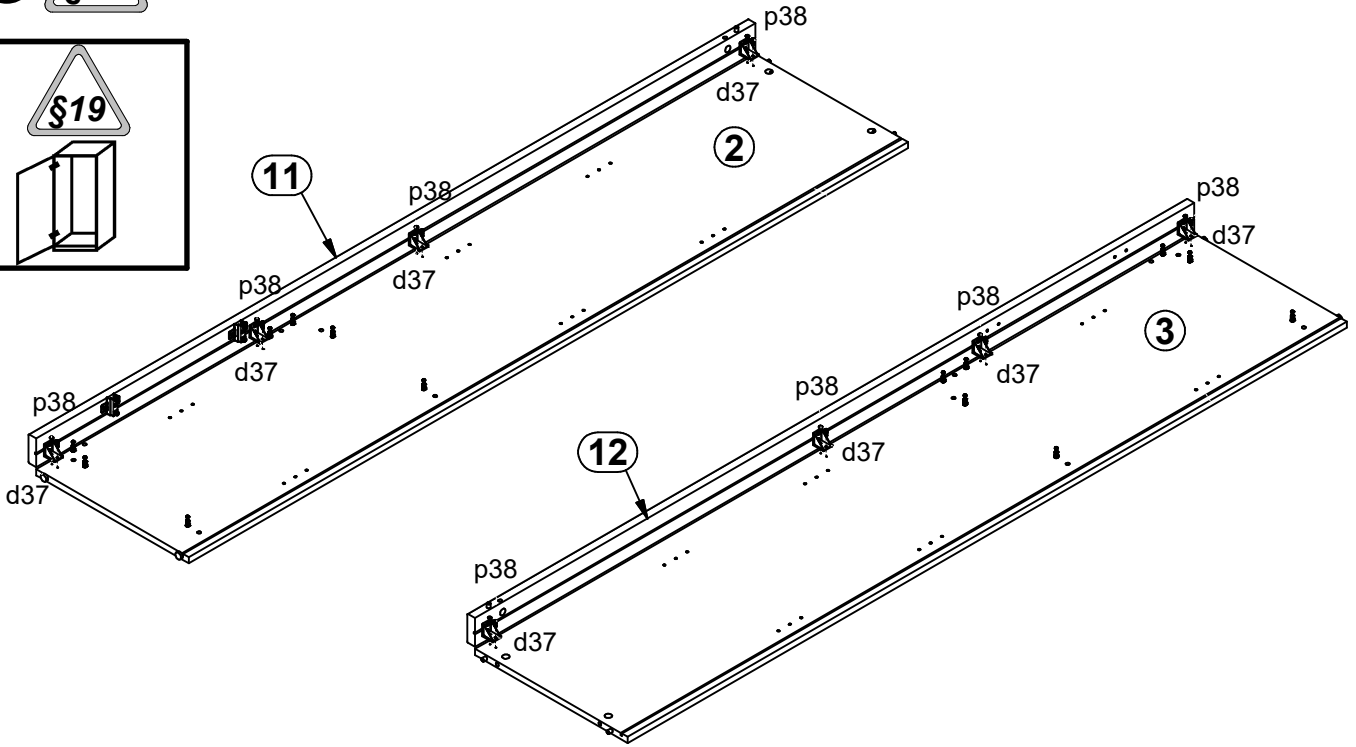
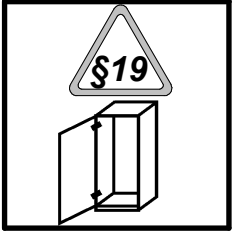


13

2x  a132	1x  a133	2x  b43	12x  d1 Ø5x17 mm	10x  d37	2x  e1 Ø7x50 mm	4x  e2 Ø6,3x13 mm	2x  e45 Ø7x24 mm	22x  f1 Ø8x30 mm
2x  f13 Ø8x20 mm	4x  k1	10x  l1 1,4x20 mm	14x  l2	40x  p38 Ø3,5x16 mm	4x  p51 Ø3,5x15 mm	24x  r1 Ø15x12 mm #16	20x  r42 20/11	2x  r51 40 mm
2x  s71 Ø35x62x40x10	4x  s2 Ø16	1x  z1 4 mm						
							1x  n2611	1x  p38 Ø3,5x16 mm

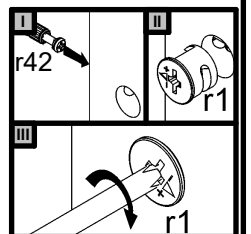
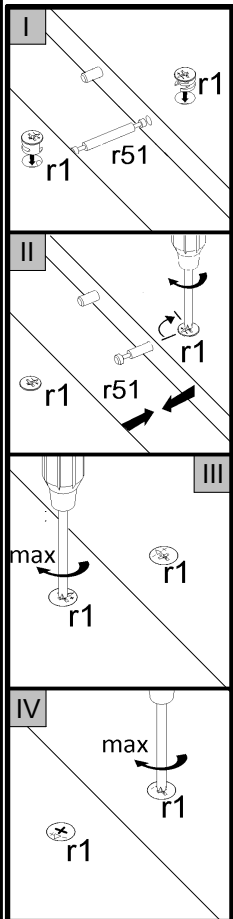
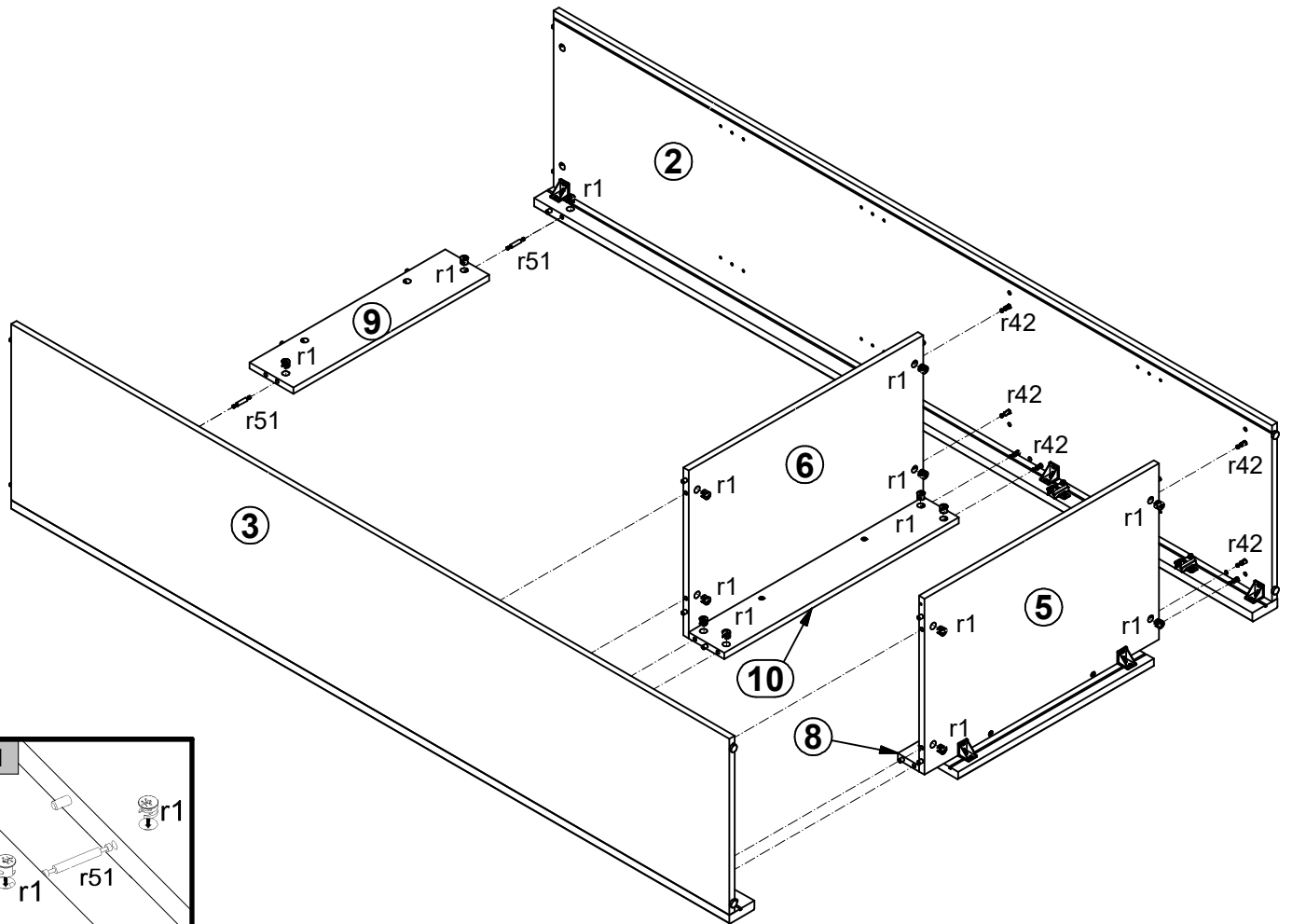


**3** §6



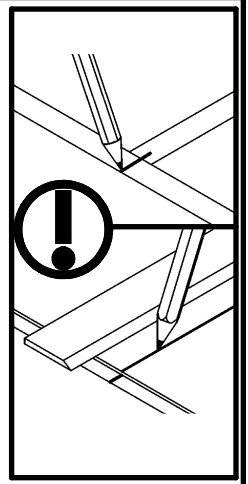
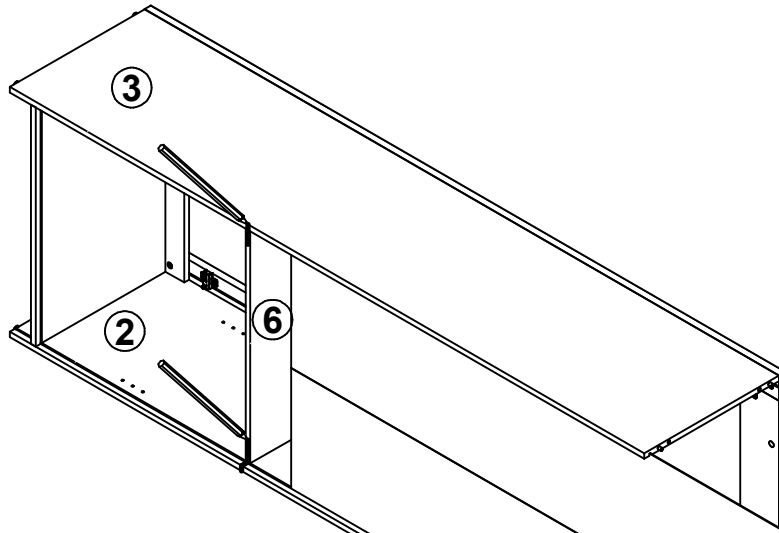


# 6

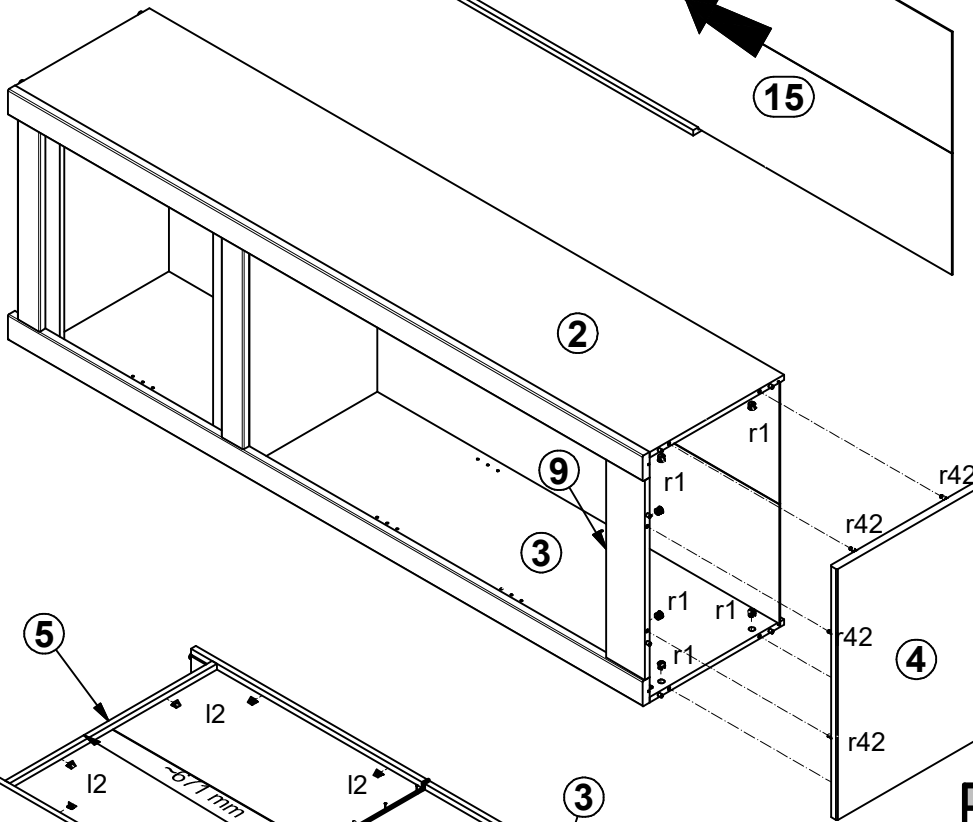


# 7

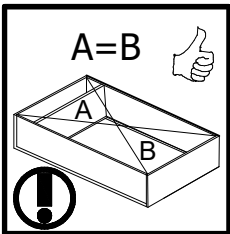
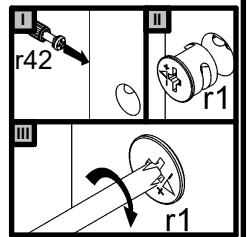
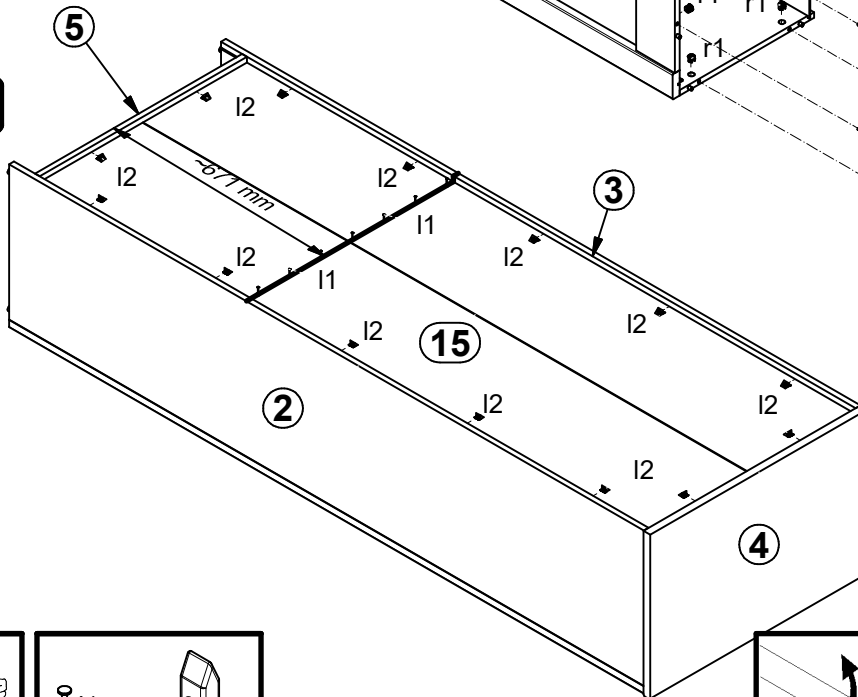
I



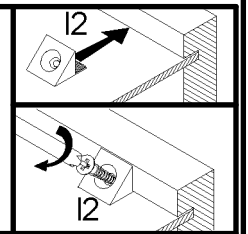
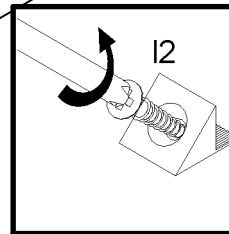
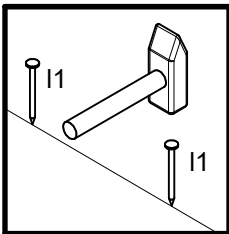
II



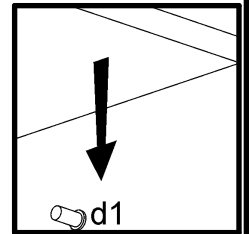
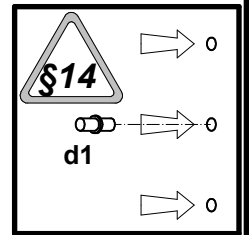
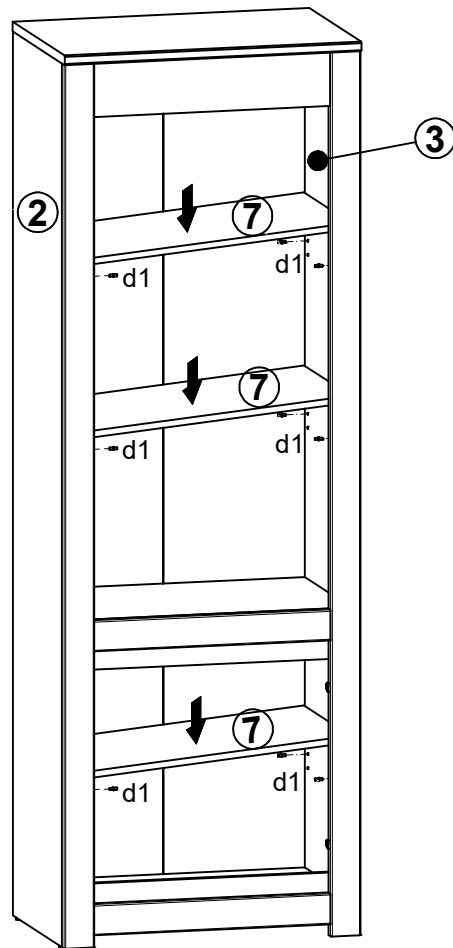
III



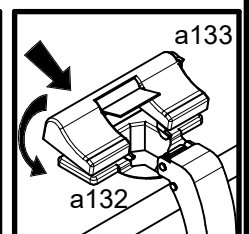
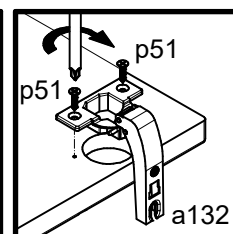
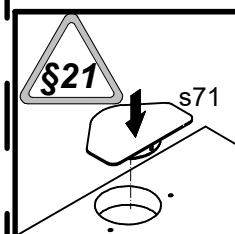
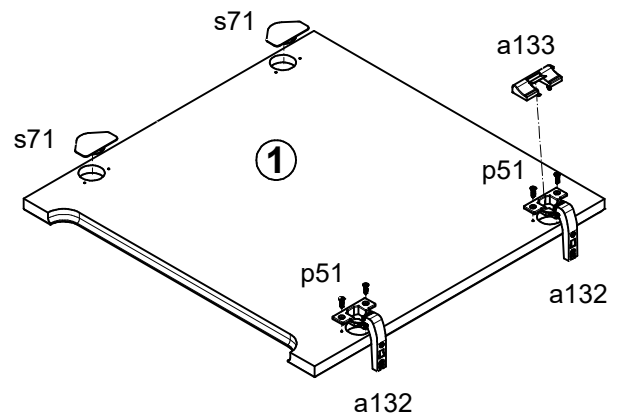
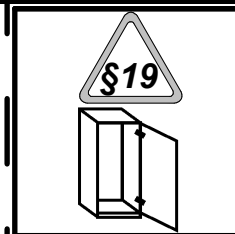
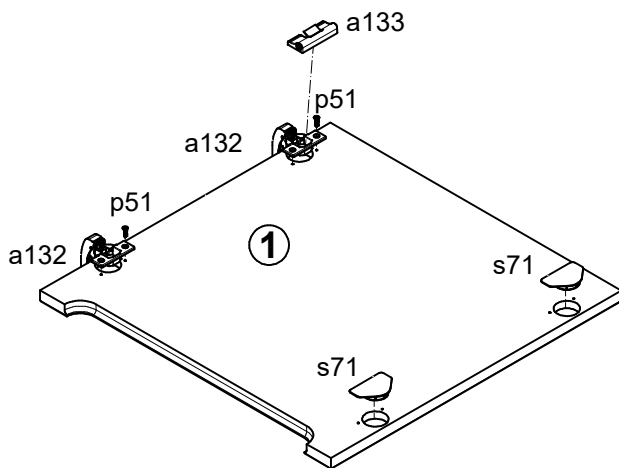
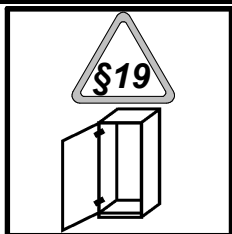
A=B



# 8



# 9



# 10

