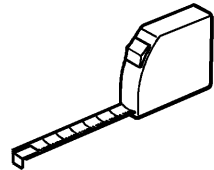
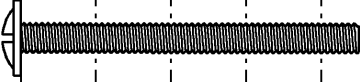
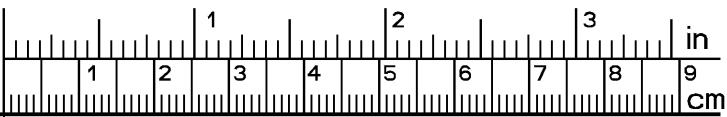


| | | mm | | | inch | | |
|---|-----|------|-----|----|----------|----------|-----|
| ⑥ | x 2 | 343 | 40 | 16 | 13 1/2 | 1 9/16 | 5/8 |
| ⑧ | x 1 | 378 | 328 | 16 | 14 7/8 | 12 15/16 | 5/8 |
| ⑤ | x 1 | 378 | 328 | 16 | 14 7/8 | 12 15/16 | 5/8 |
| ③ | x 1 | 502 | 157 | 16 | 19 3/4 | 6 3/16 | 5/8 |
| ⑦ | x 1 | 506 | 40 | 16 | 19 15/16 | 1 9/16 | 5/8 |
| ④ | x 1 | 506 | 327 | 16 | 19 15/16 | 12 7/8 | 5/8 |
| ⑩ | x 1 | 598 | 348 | 22 | 23 9/16 | 13 11/16 | 7/8 |
| ② | x 1 | 484 | 274 | 3 | 19 1/16 | 10 13/16 | 1/8 |
| ⑨ | x 1 | 522 | 201 | 3 | 20 9/16 | 7 15/16 | 1/8 |
| ① | x 1 | 1048 | 110 | 13 | 41 1/4 | 4 5/16 | 1/2 |





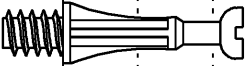
ABA x2



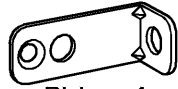
CF x2



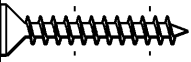
ADM x14



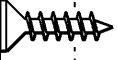
AD x4



BLL x1



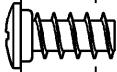
VJ x3



Vi x4



CG x2



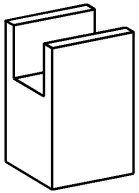
VB x2



VR x2



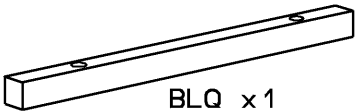
Ai x4



BLP x2



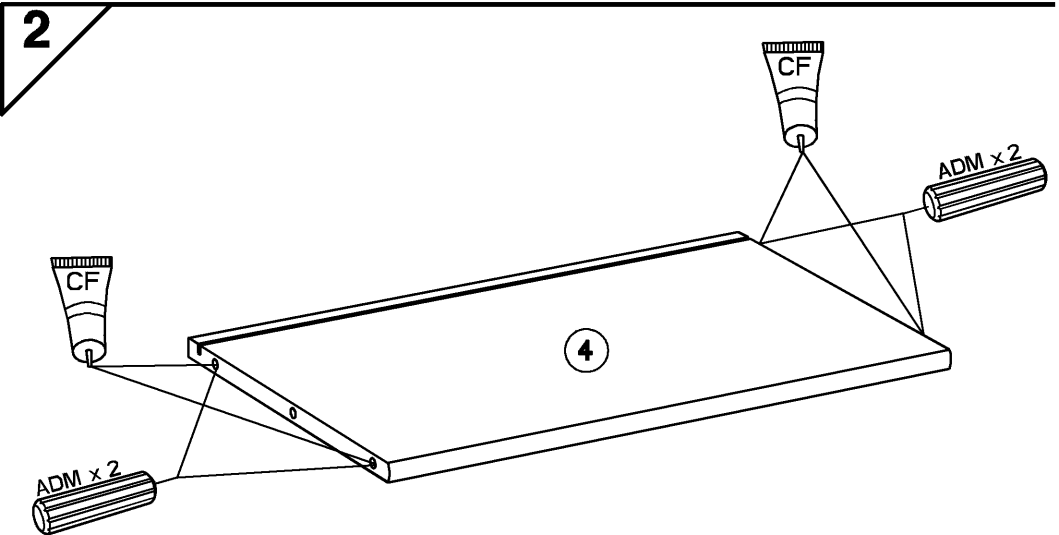
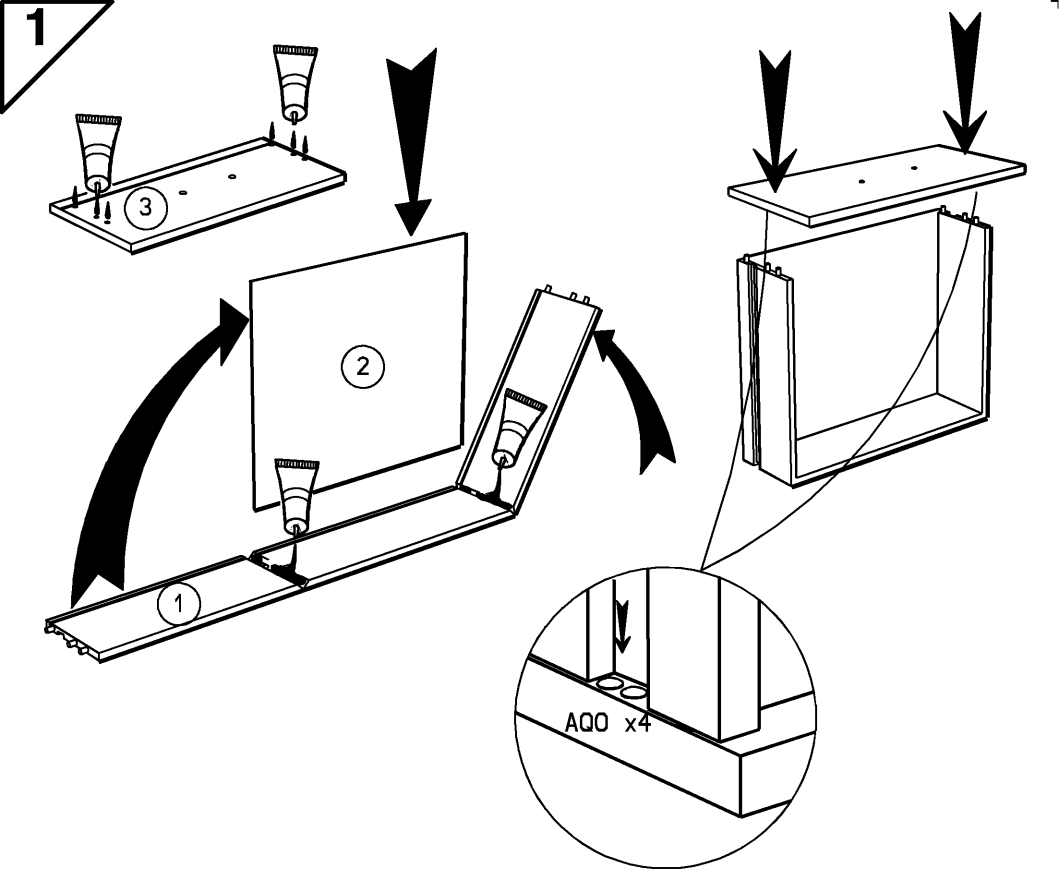
AQO x4



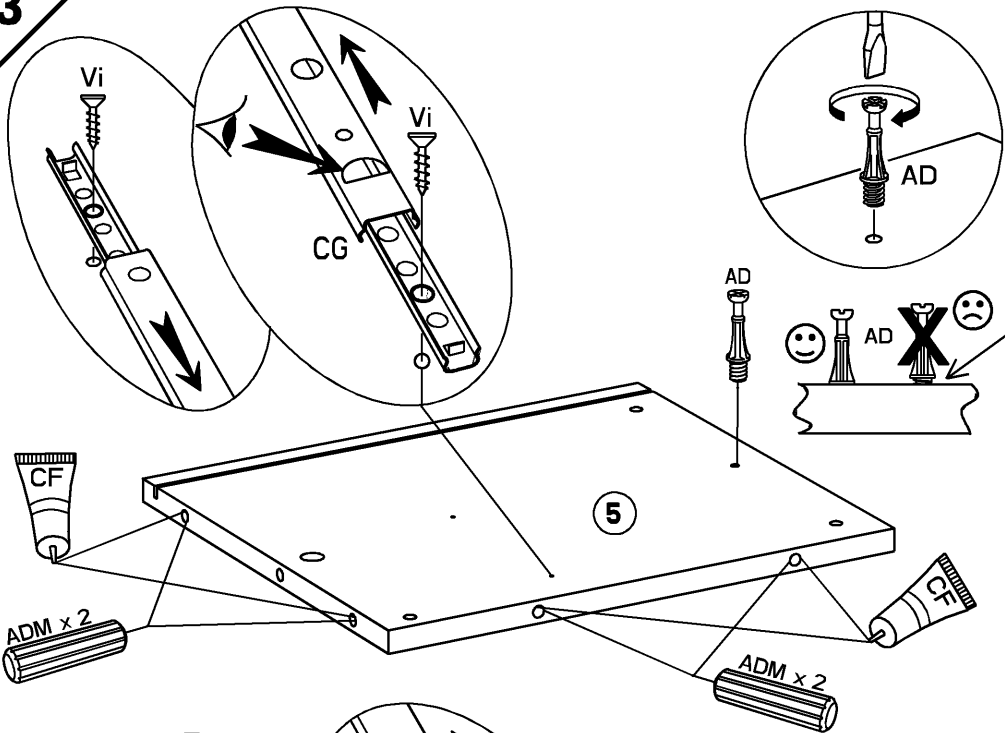
BLQ x1



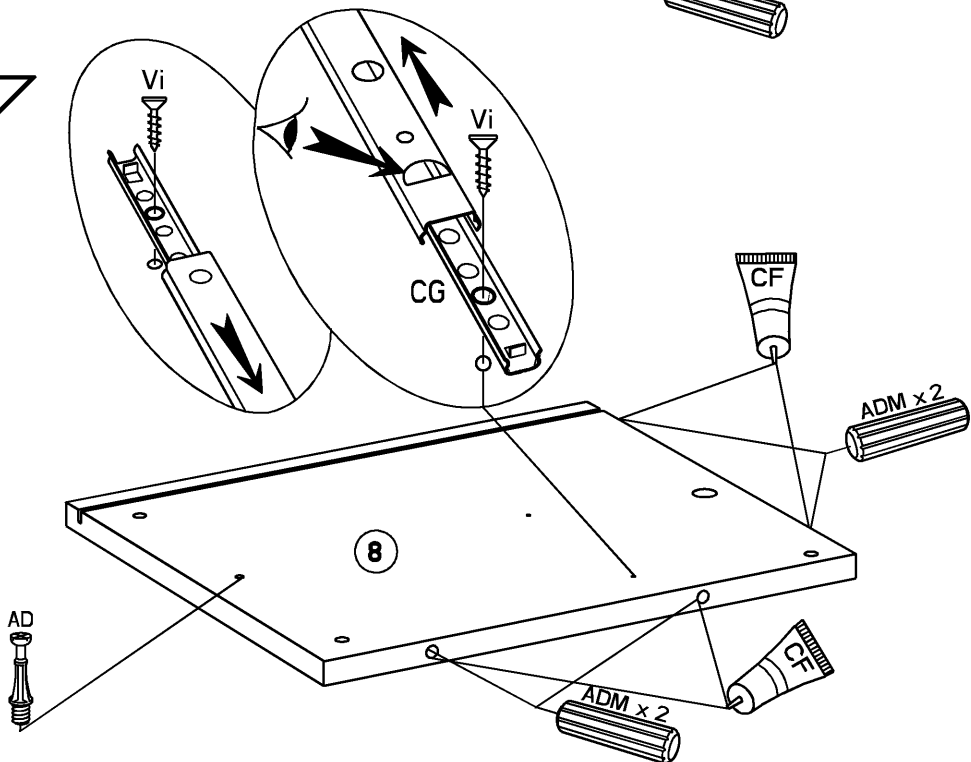
EP x3



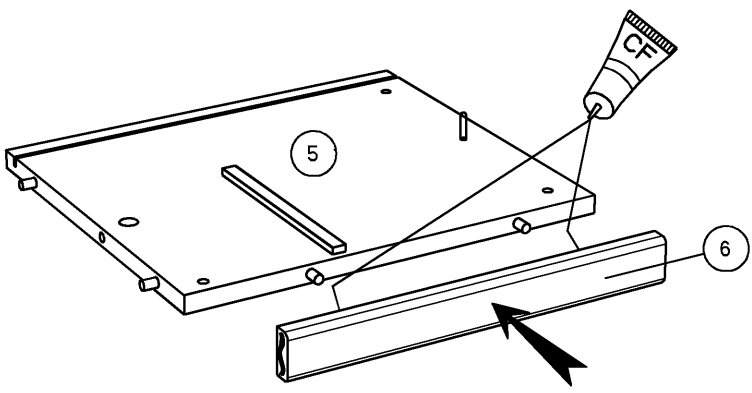
3



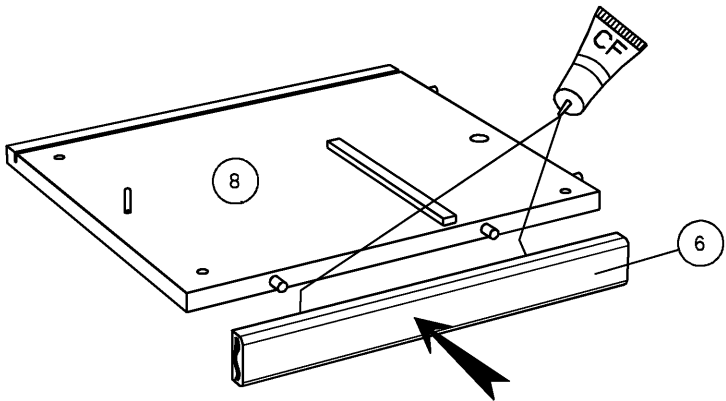
4



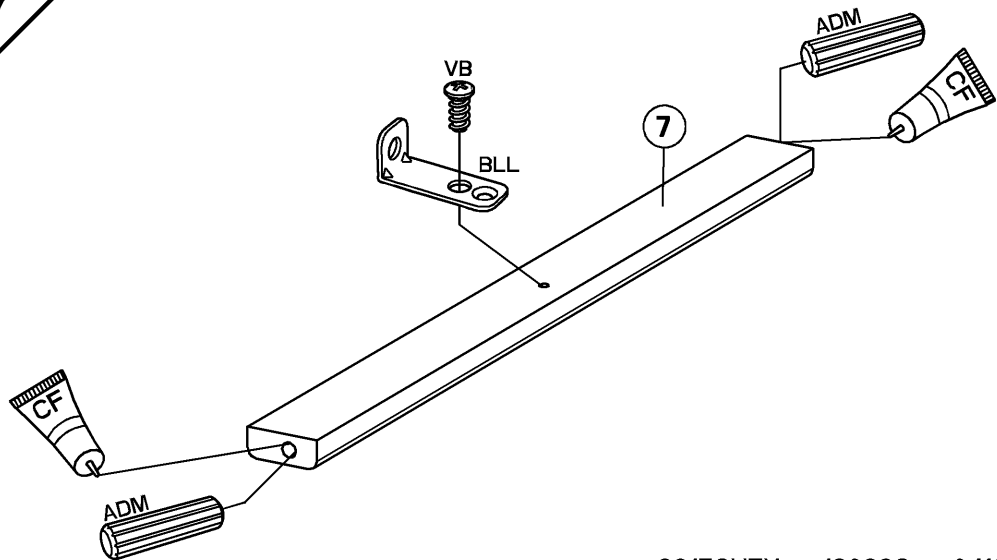
5

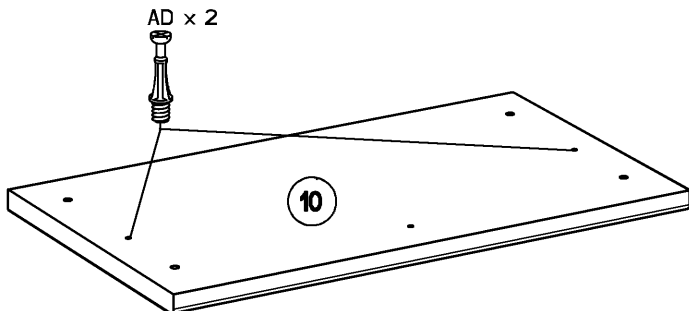
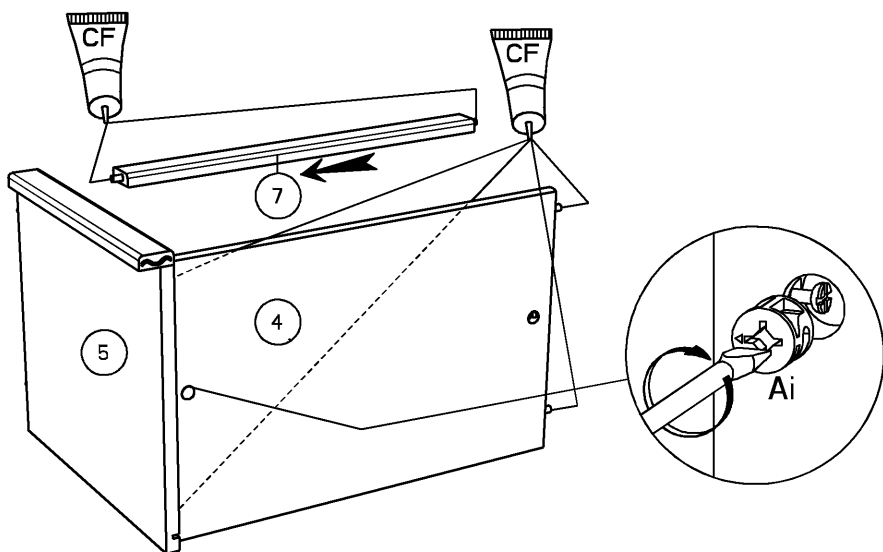
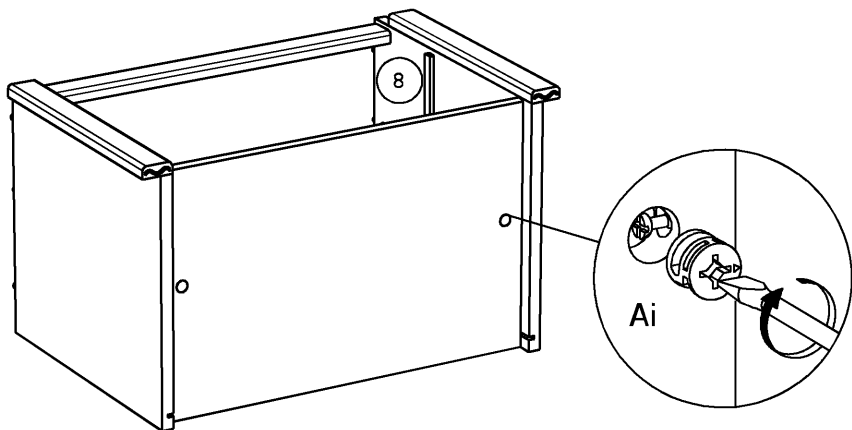


6

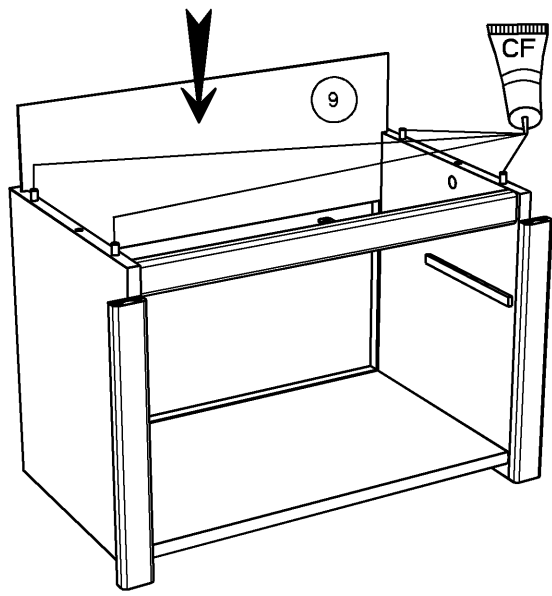


7

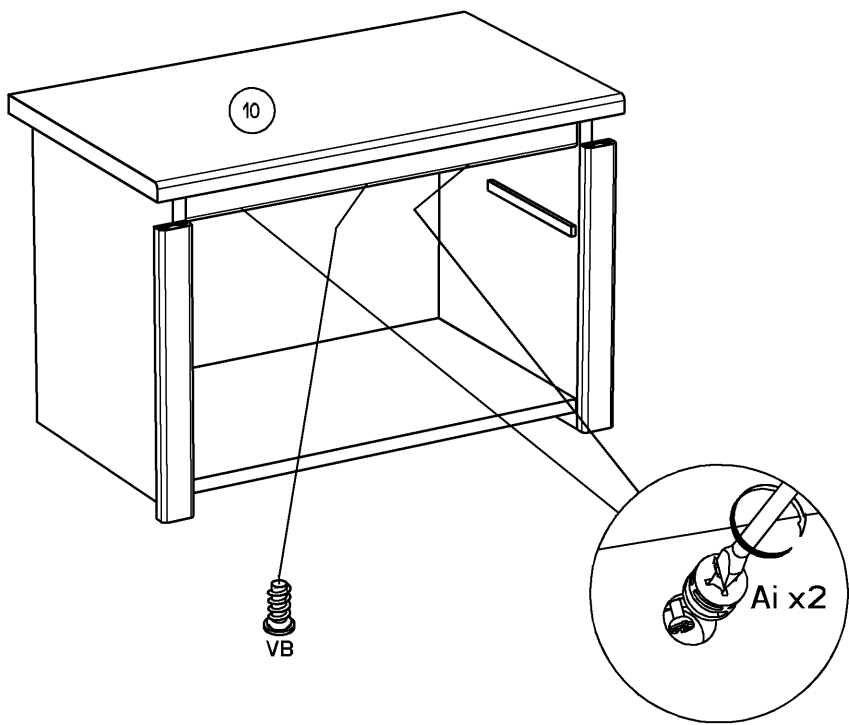


8**9****10**

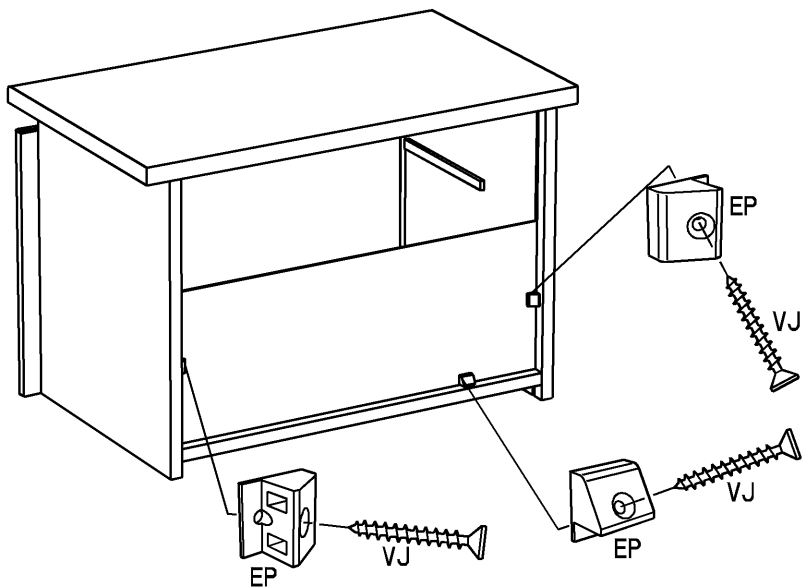
11



12



13



14

