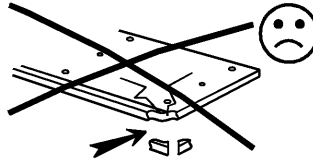
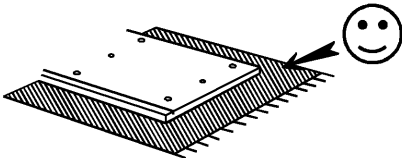
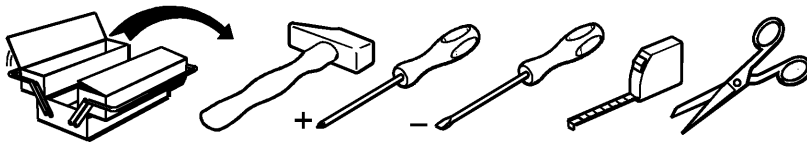
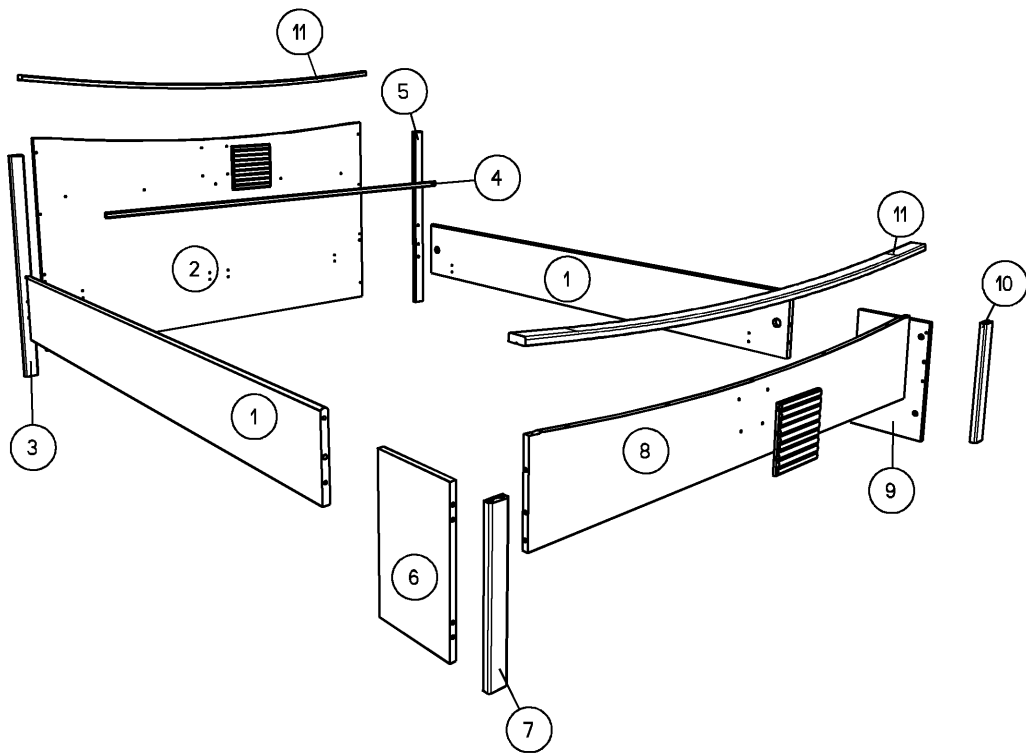


92cm
36 1/4"

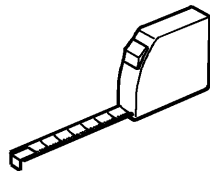
170cm
67"

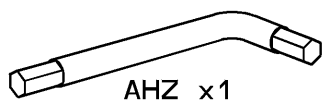
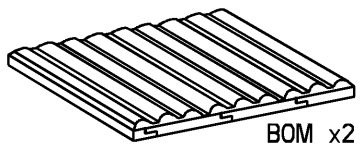
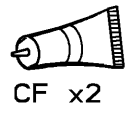
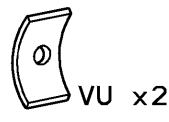
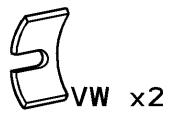
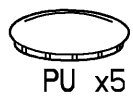
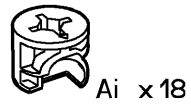
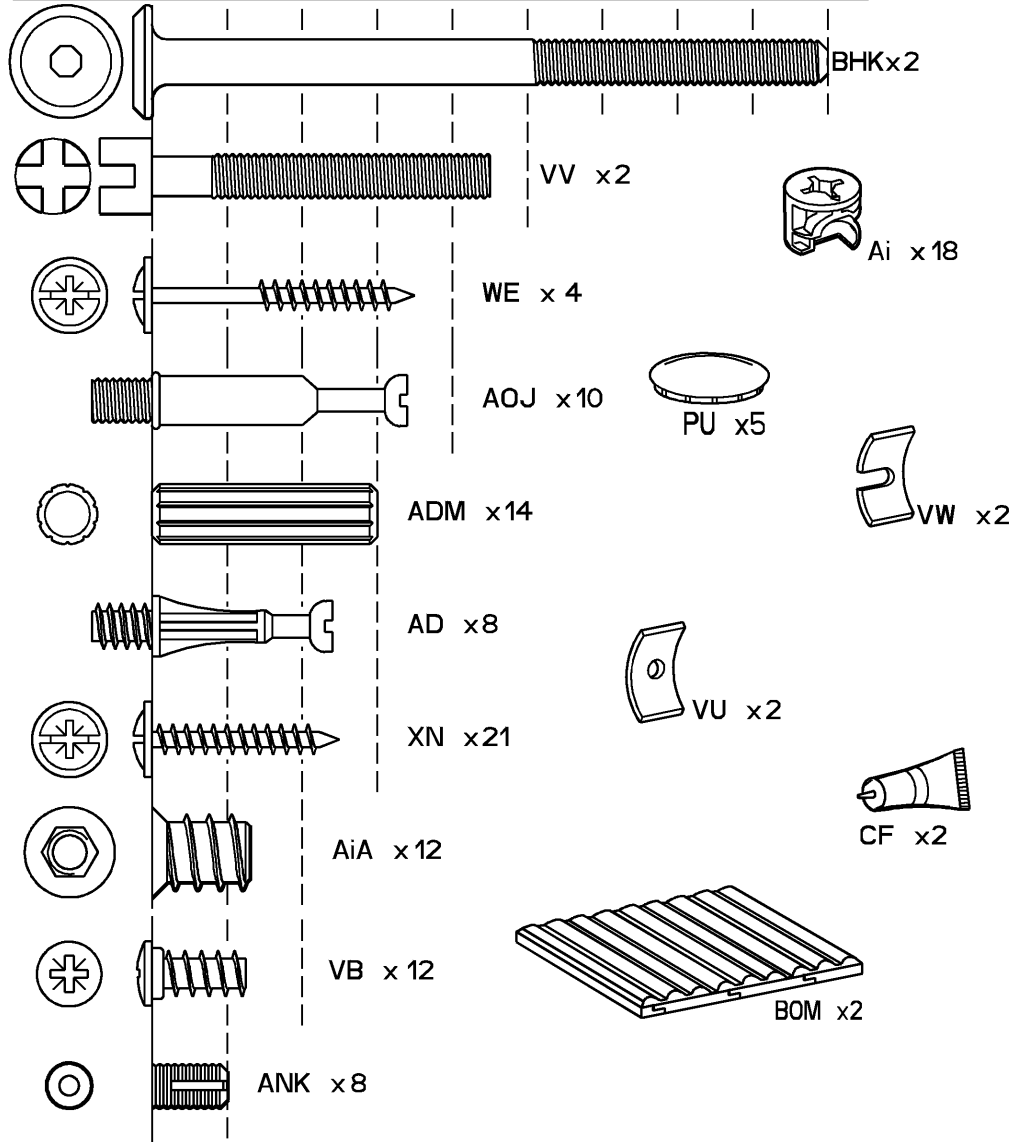
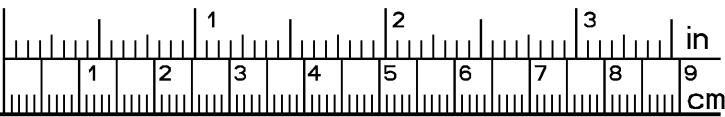
207.5cm
81 3/4"

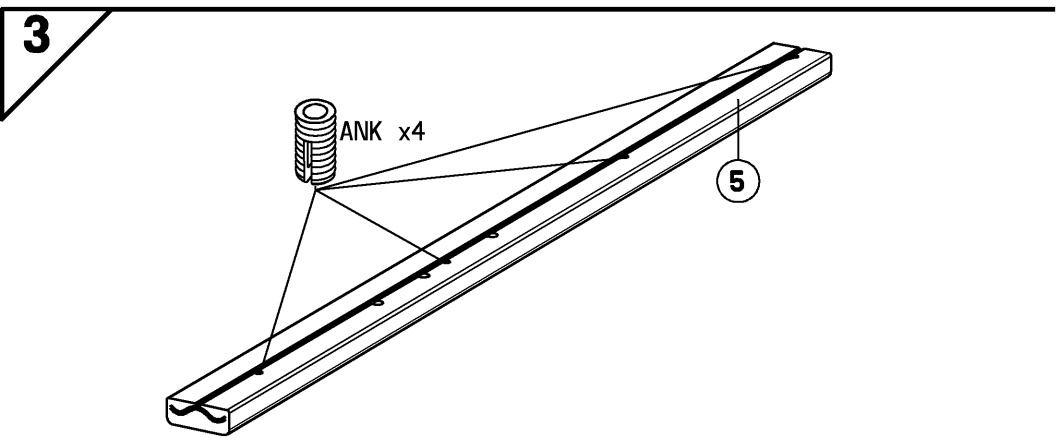
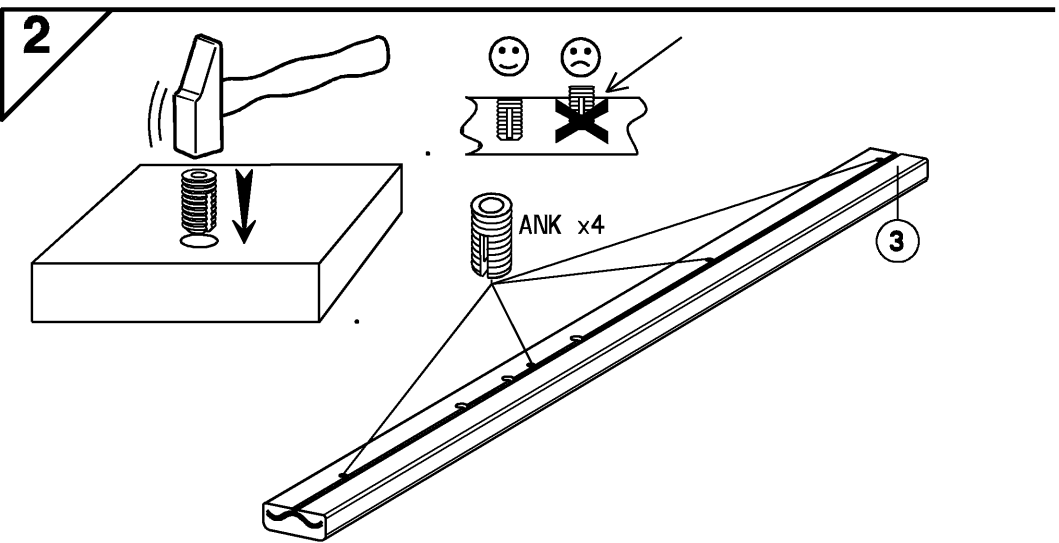
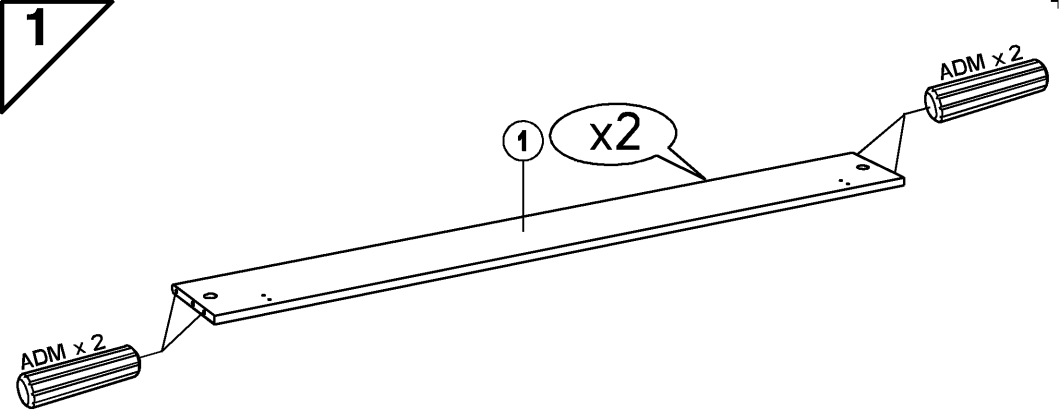




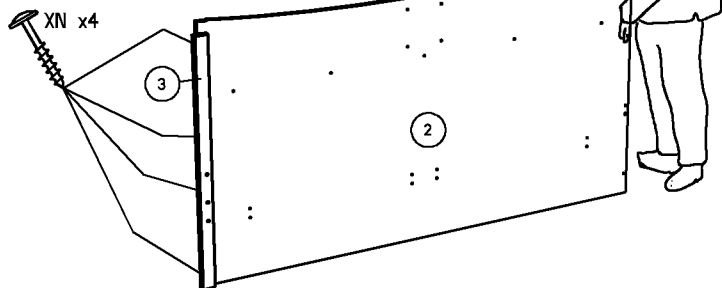
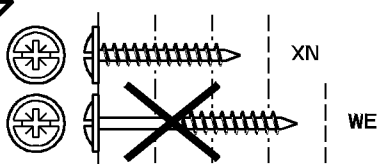
		mm			inch		
9	x 1	395	243	16	15 9/16	9 9/16	5/8.
6	x 1	395	243	16	15 9/16	9 9/16	5/8.
10	x 1	396	50	19	15 9/16	1 15/16	3/4.
7	x 1	396	50	19	15 9/16	1 15/16	3/4.
5	x 1	860	50	19	33 7/8	1 15/16	3/4.
3	x 1	860	50	19	33 7/8	1 15/16	3/4.
4	x 1	1581	20	12	62 1/4	13/16	1/2.
8	x 1	1644	265	16	64 3/4	10 7/16	5/8.
2	x 1	1644	900	16	64 3/4	35 7/16	5/8.
11	x 2	1710	50	19	67 5/16	1 15/16	3/4.
1	x 2	1991	243	22	78 3/8	9 9/16	7/8.



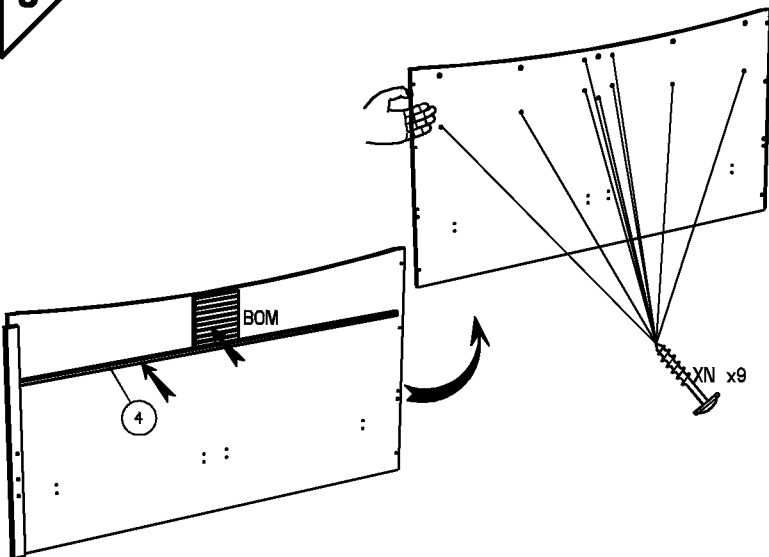


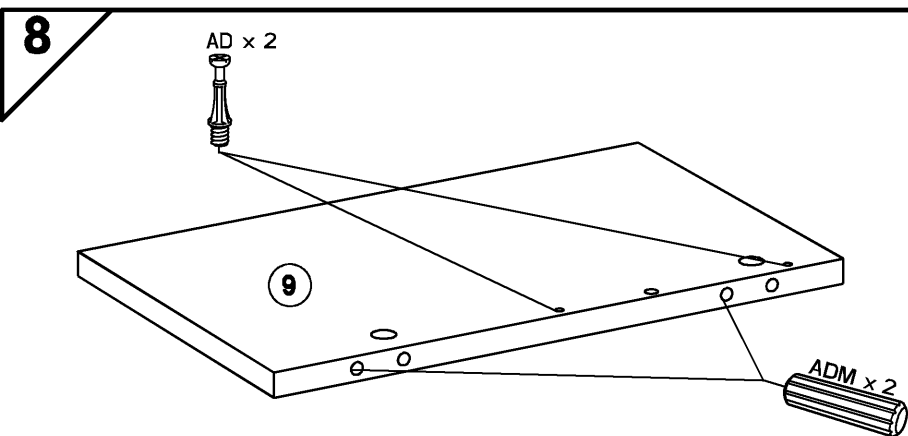
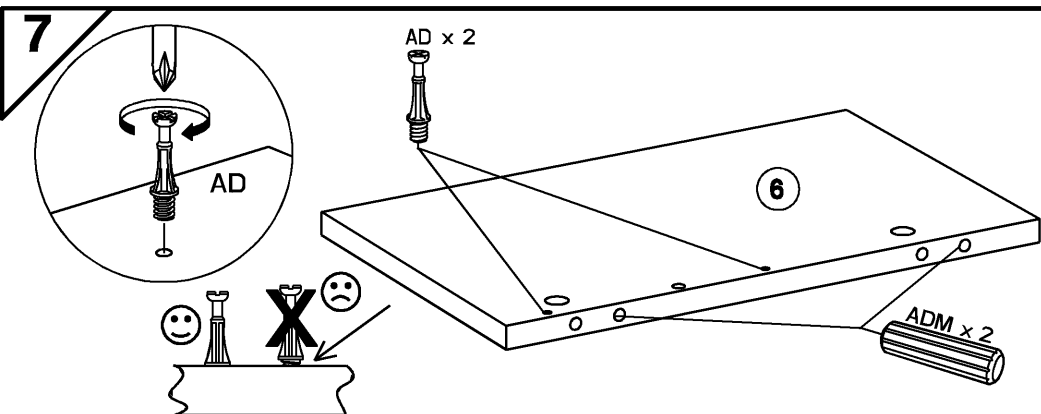
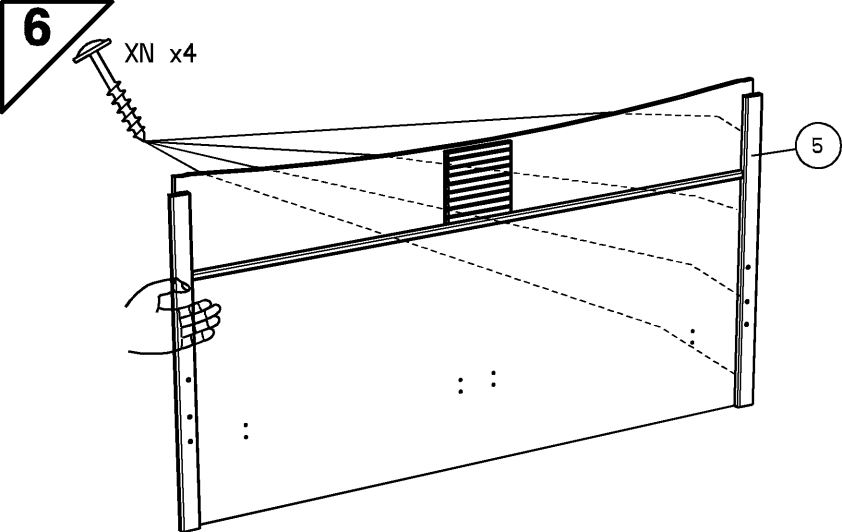


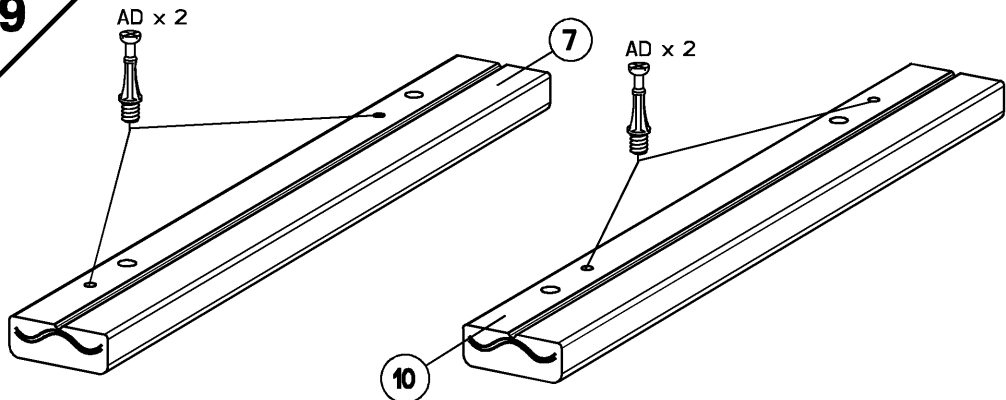
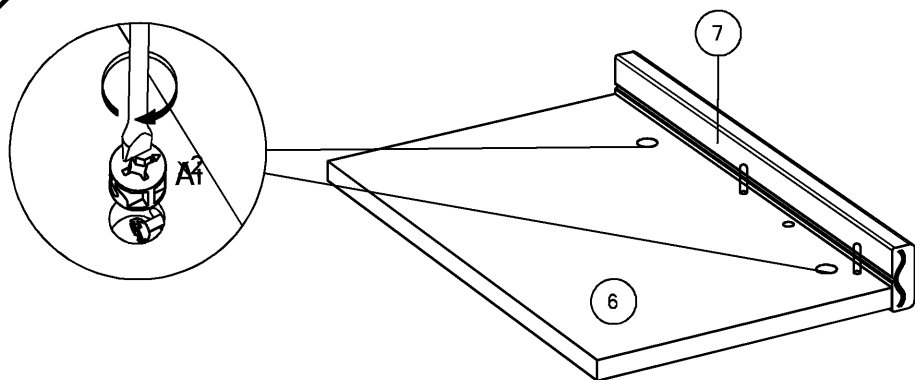
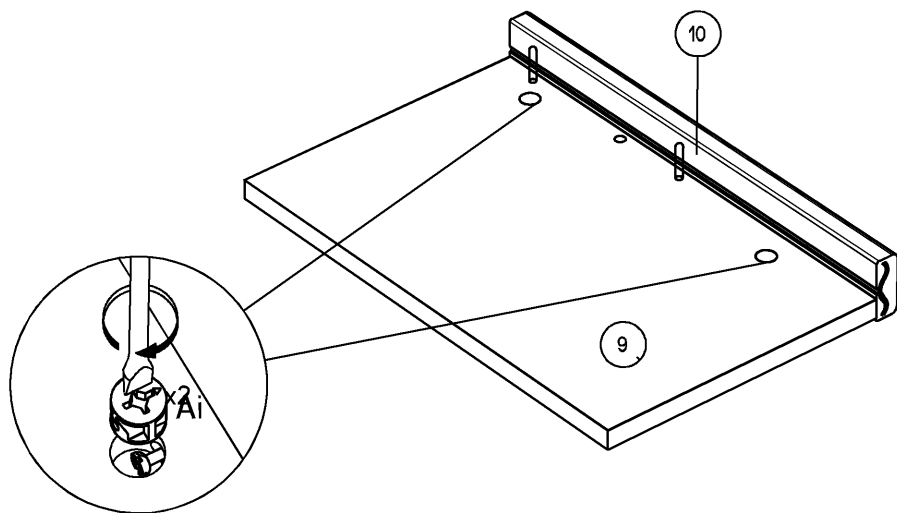
4



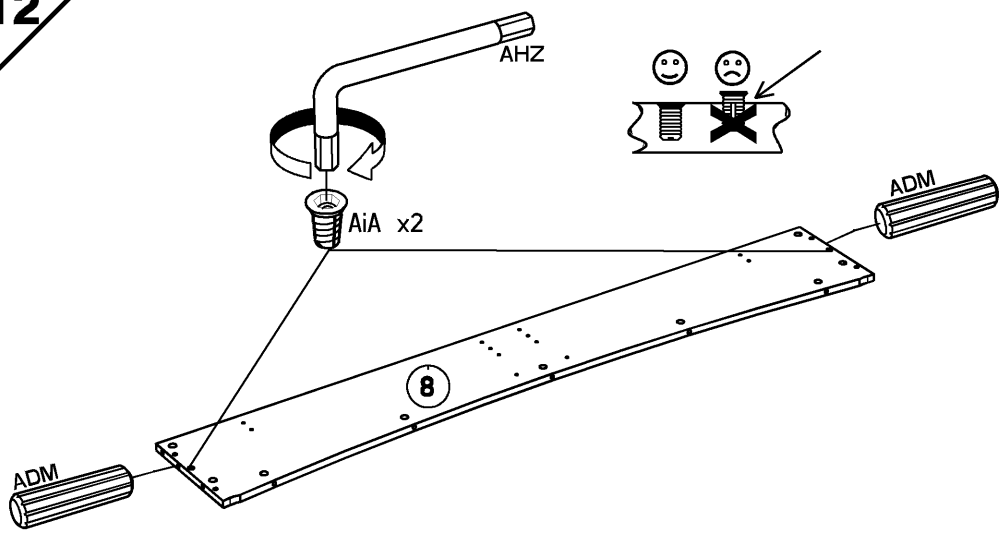
5



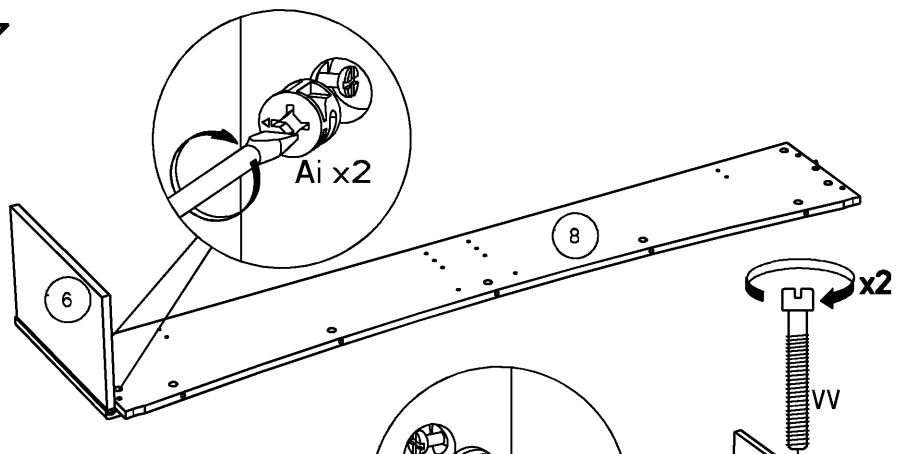


9**10****11**

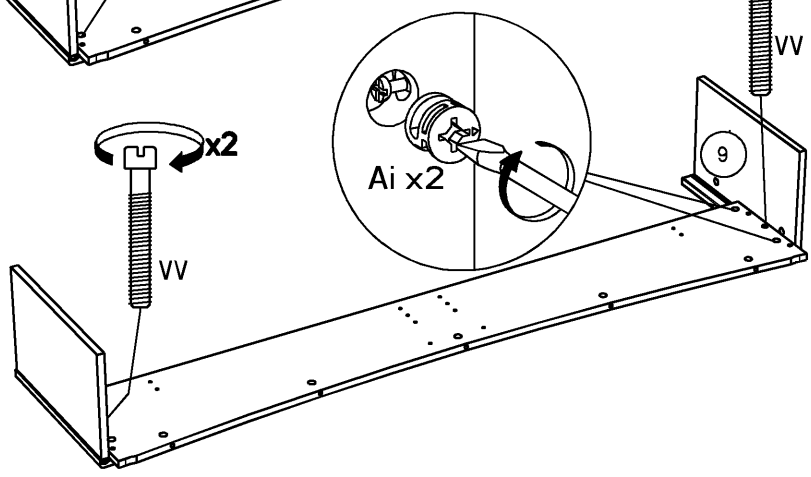
12



13

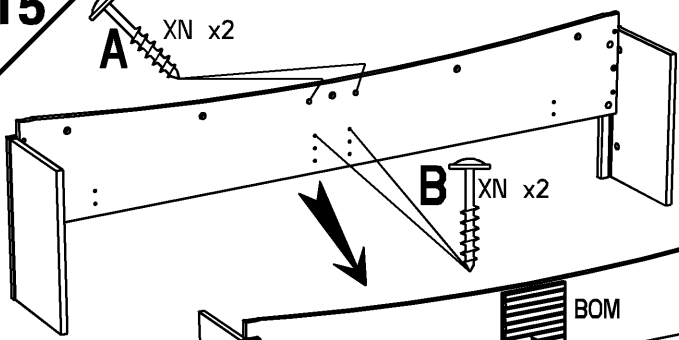


14

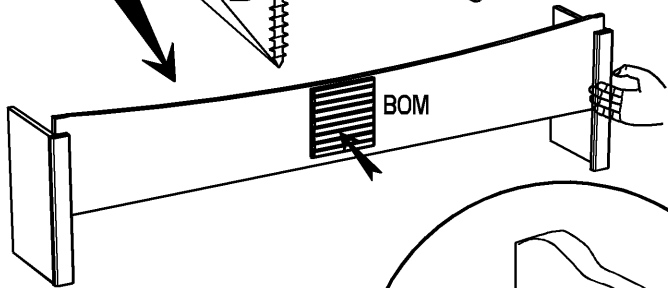


15

A XN x2

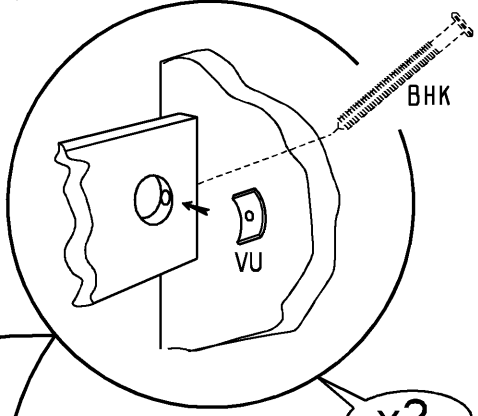
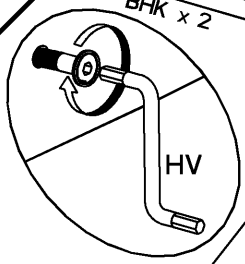


B XN x2

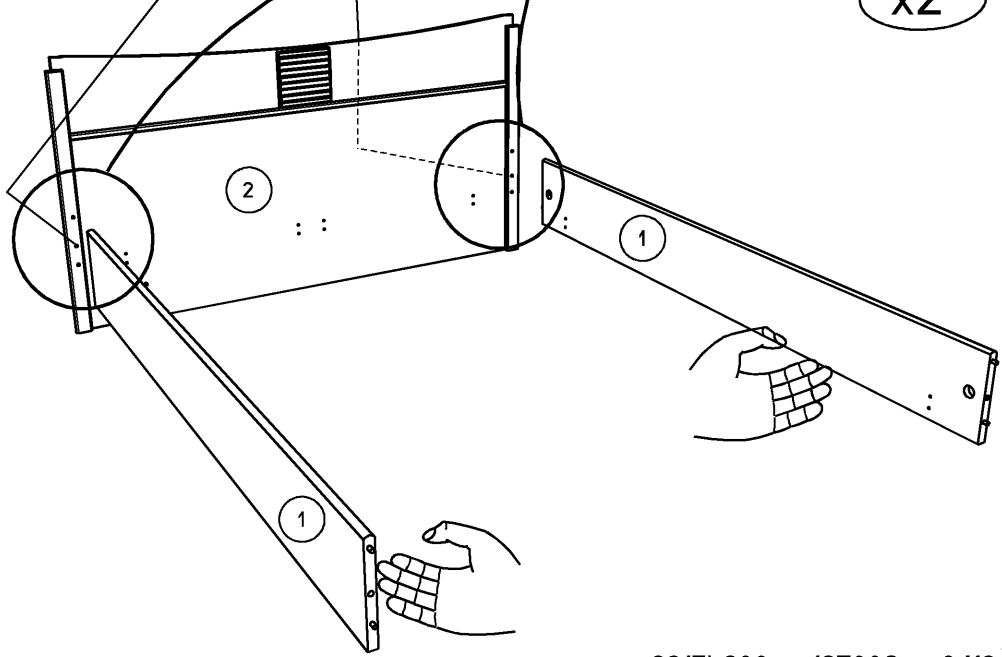


16

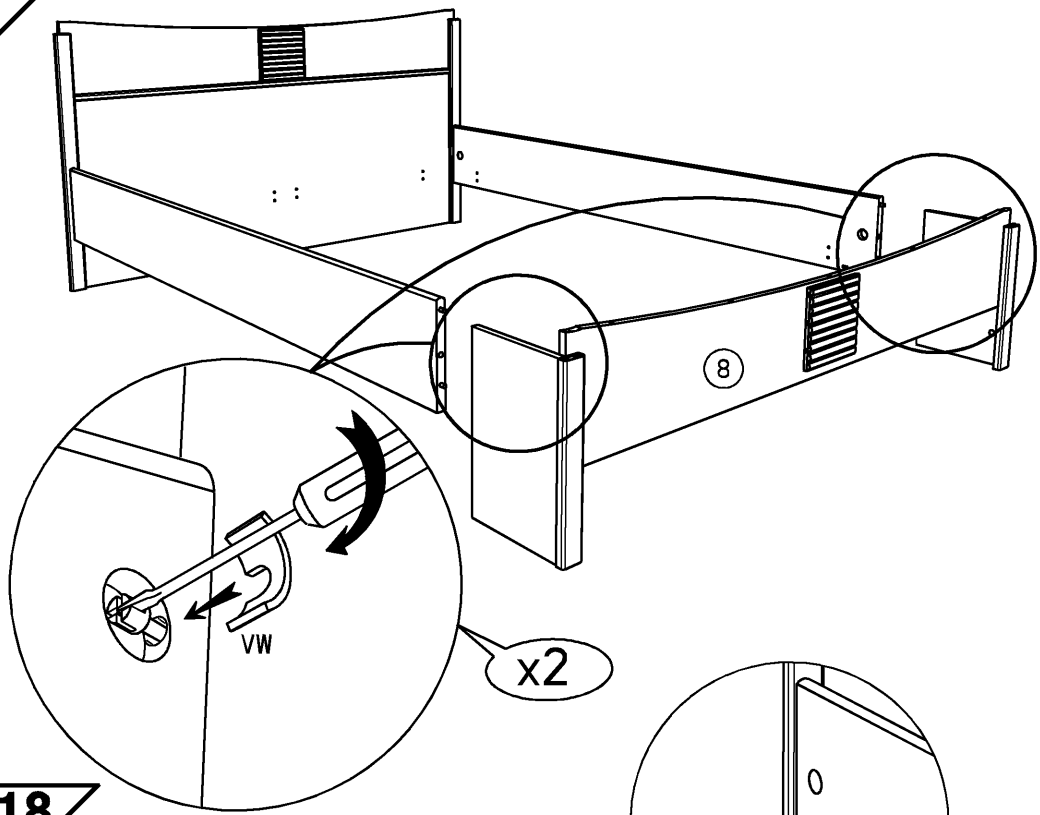
BHK x 2



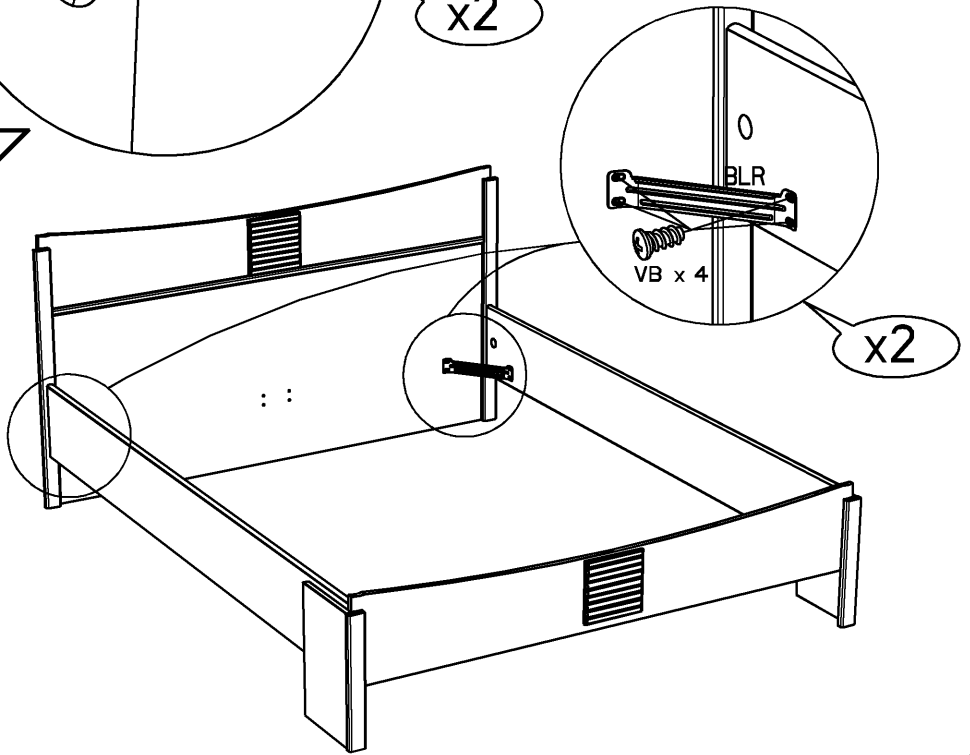
x2



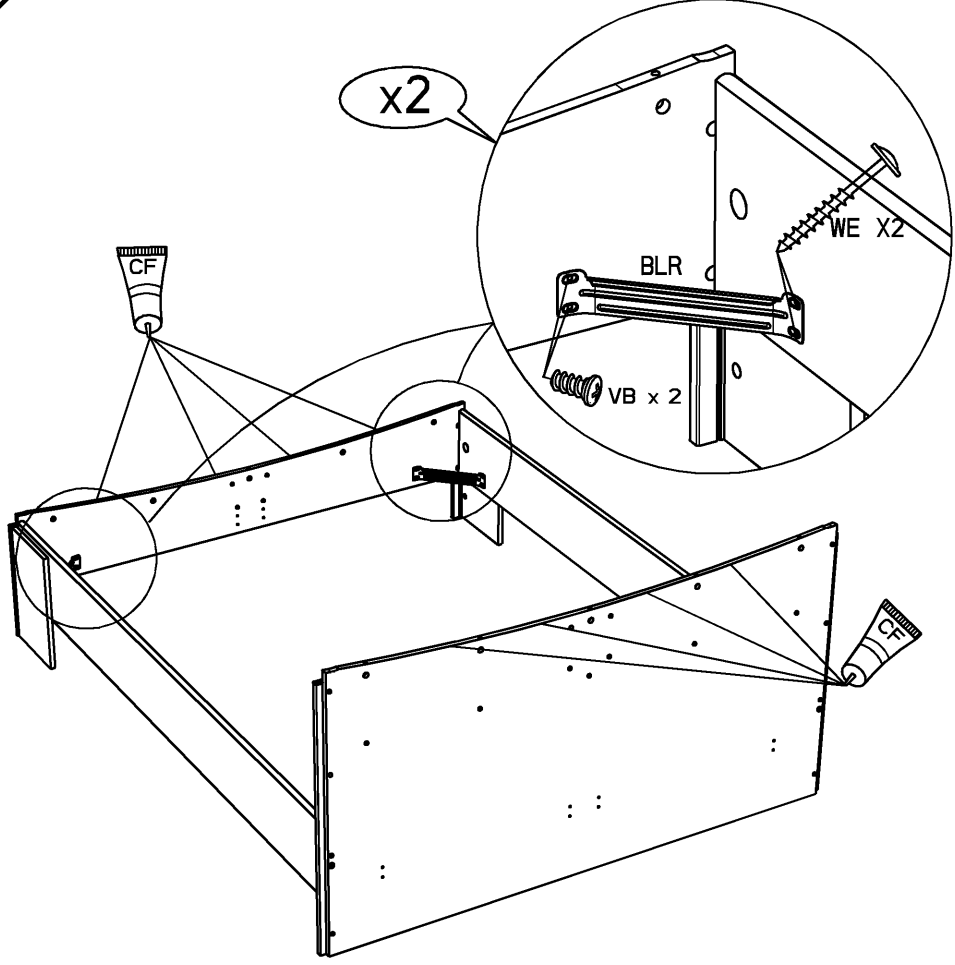
17



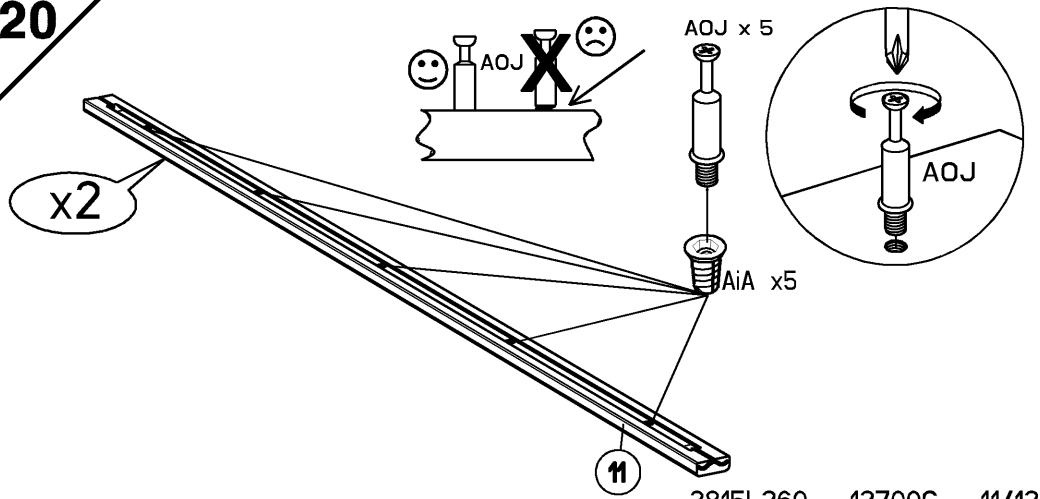
18



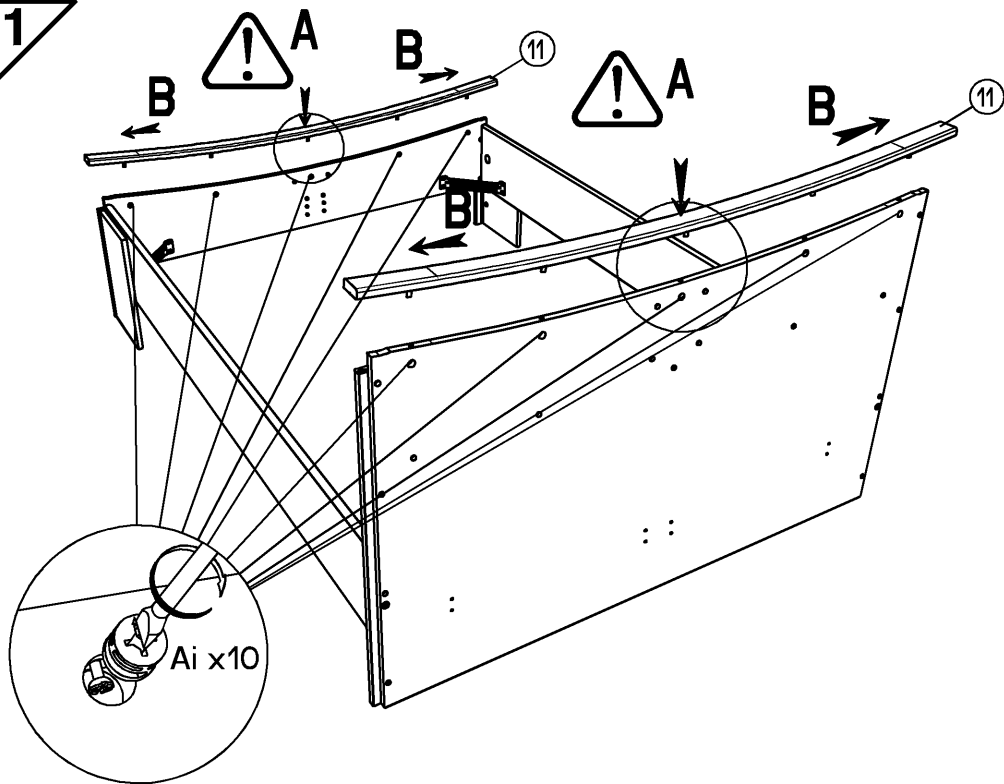
19



20



21



22

