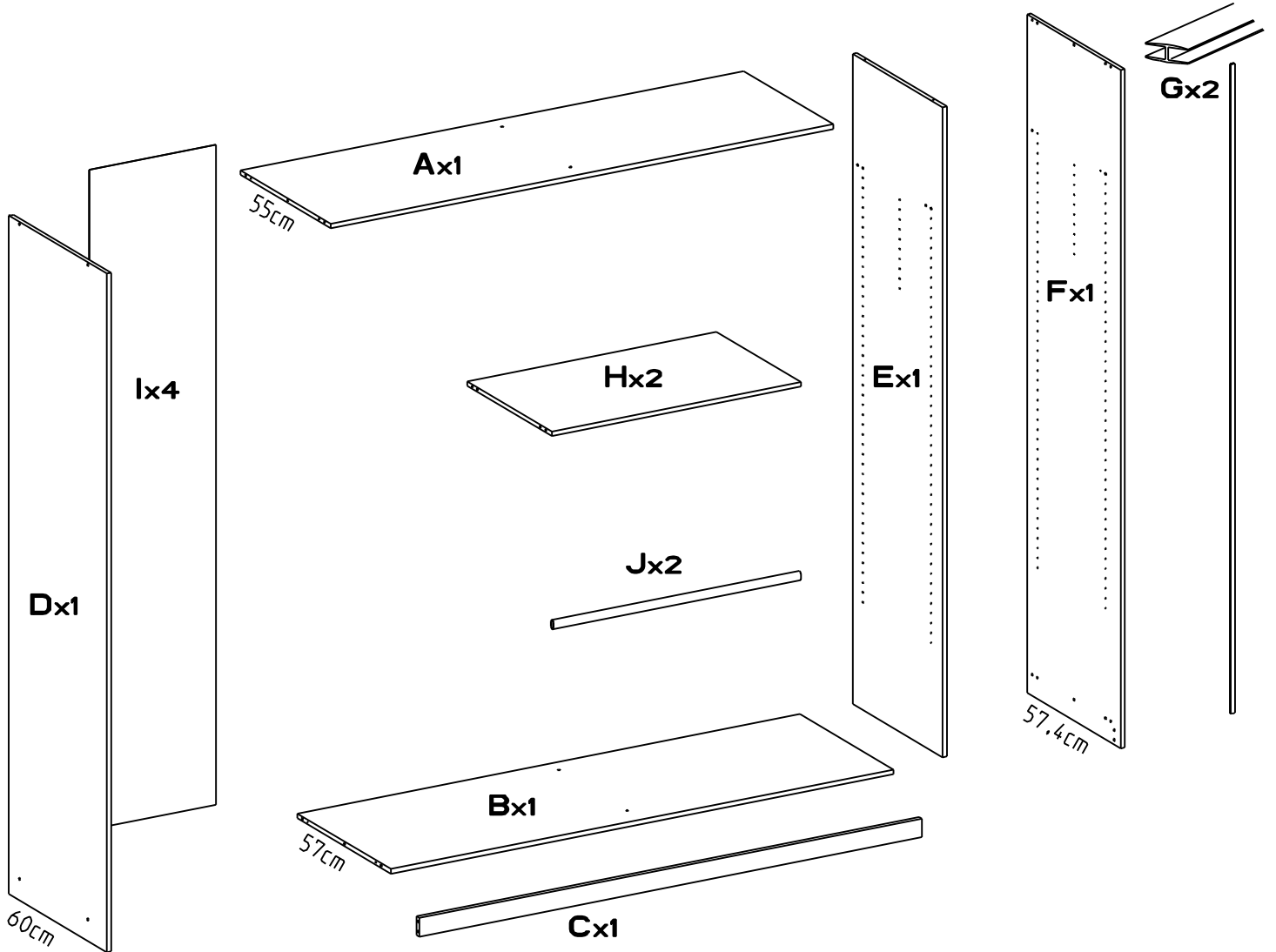

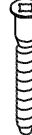

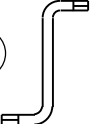
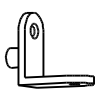




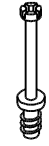

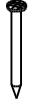
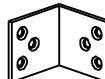


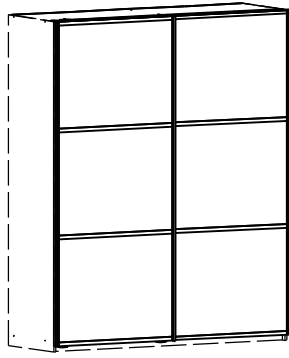
Nr. 6270

6270-1-A, 6270-1-B



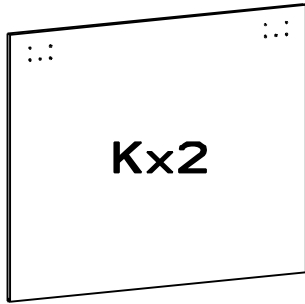
- |   |   |   |   |  |   |   |
|---|---|---|---|--|---|---|
|  |  |  |  |  |  |  |
| 1   | 2   | 3   | 4   | 5  | 6   | 7   |
| x22   | x12   | x8  | x1  | x3   | x4  | x22   |

- |   |   |   |   |  |   |
|---|---|---|---|--|---|
|  |  |  |  |  |  |
| 8   | 9   | 10  | 11  | 12   | 13  |
| x2  | x2  | x4  | x8  | x75  | x2  |

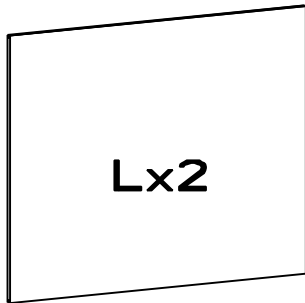


# Nr. 6270

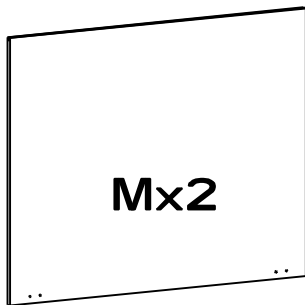
6270-x-C, 6270-9-D



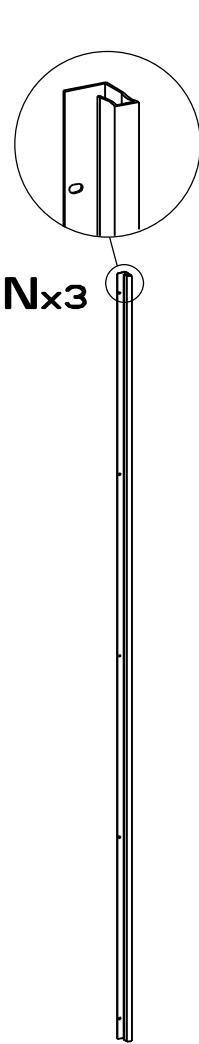
Kx2



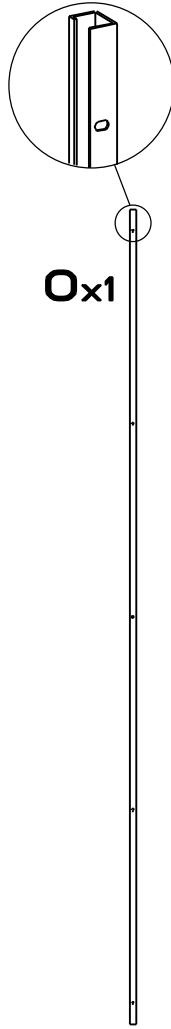
Lx2



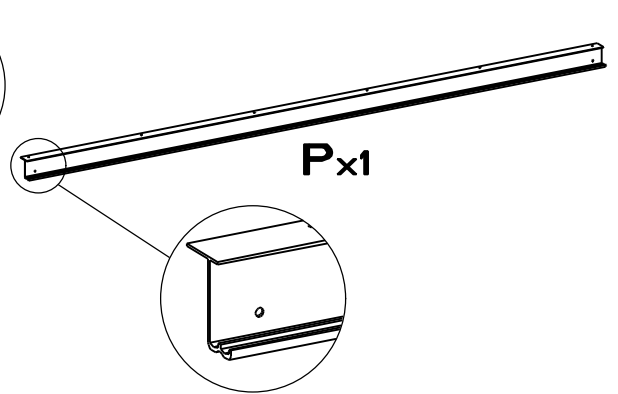
Mx2



Nx3



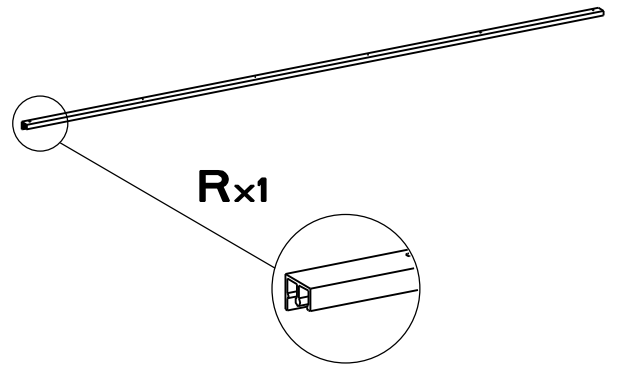
Ox1



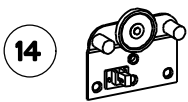
Px1



Qx8

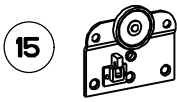


Rx1



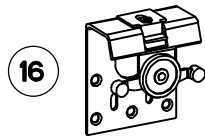
14

x1



15

x1



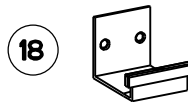
16

x2



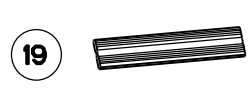
17

x2



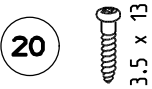
18

x2



19

x12



20

x32



21

x24



23

x2



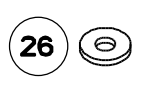
24

x2



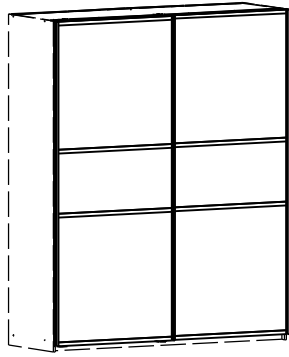
25

x2



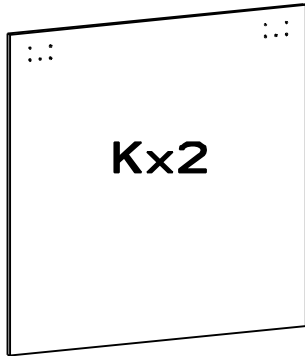
26

x2

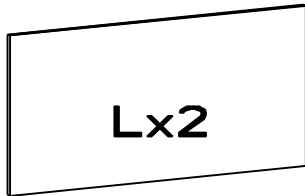


Nr. 6275

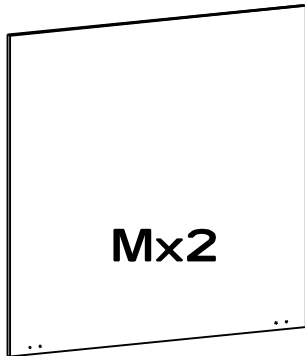
6280-x-C, 6270-9-D



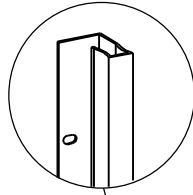
Kx2



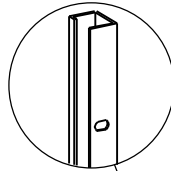
Lx2



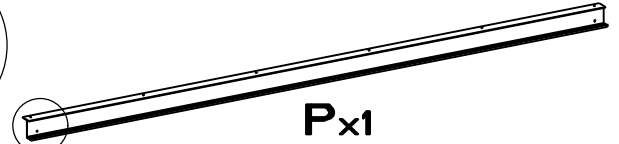
Mx2



Nx3



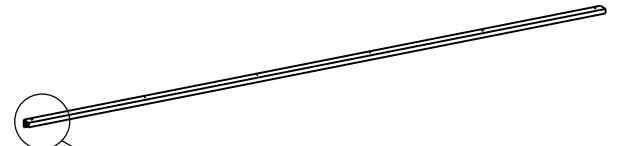
Ox1



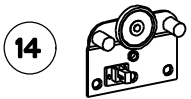
Px1



Qx8

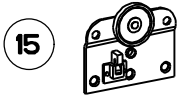


Rx1



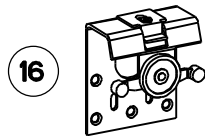
14

x1



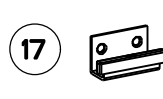
15

x1



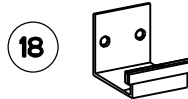
16

x2



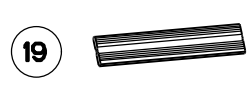
17

x2



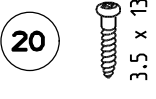
18

x2



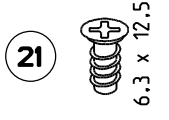
19

x12



20

x32



21

x24



23

x2



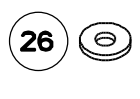
24

x2



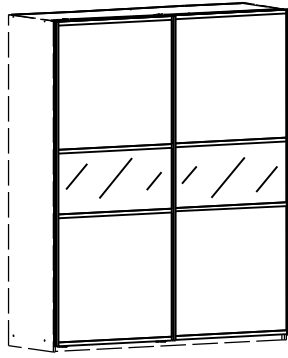
25

x2



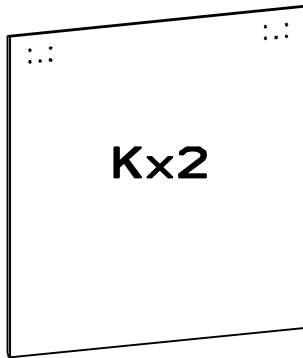
26

x2

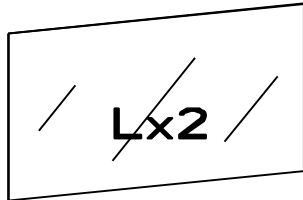


Nr. 6277

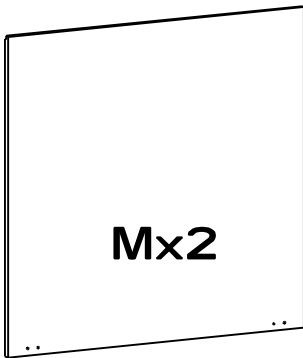
6277-x-C, 6270-9-D



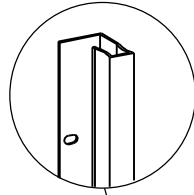
Kx2



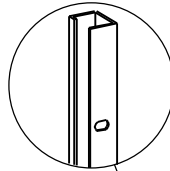
Lx2



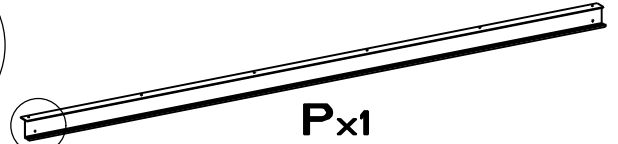
Mx2



Nx3



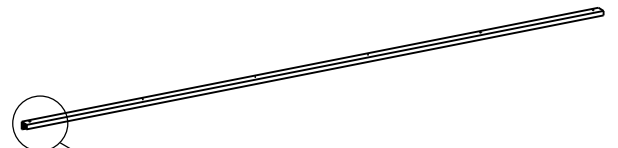
Ox1



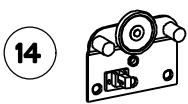
Px1



Qx8

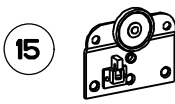


Rx1



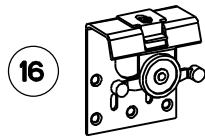
14

x1



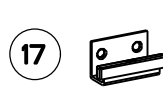
15

x1



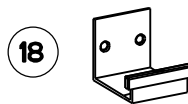
16

x2



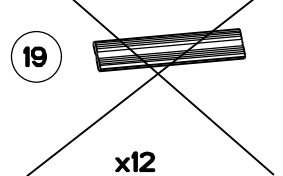
17

x2



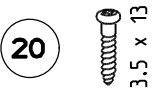
18

x2



19

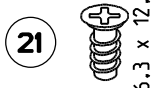
x12



20

3.5 x 13

x32



21

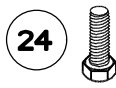
6.3 x 12.5

x24



23

x2



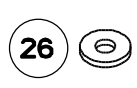
24

x2



25

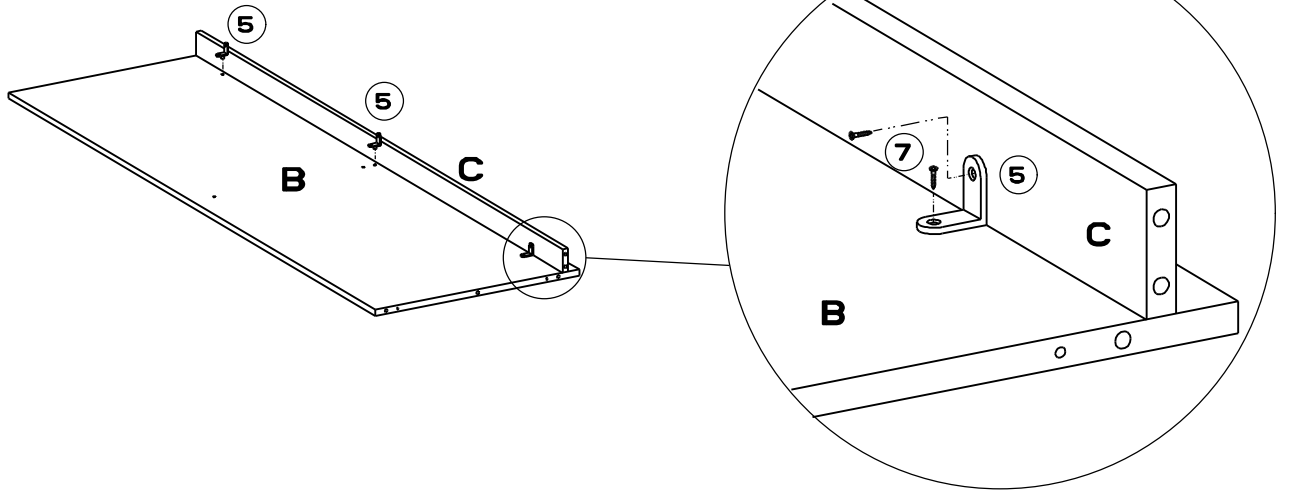
x2



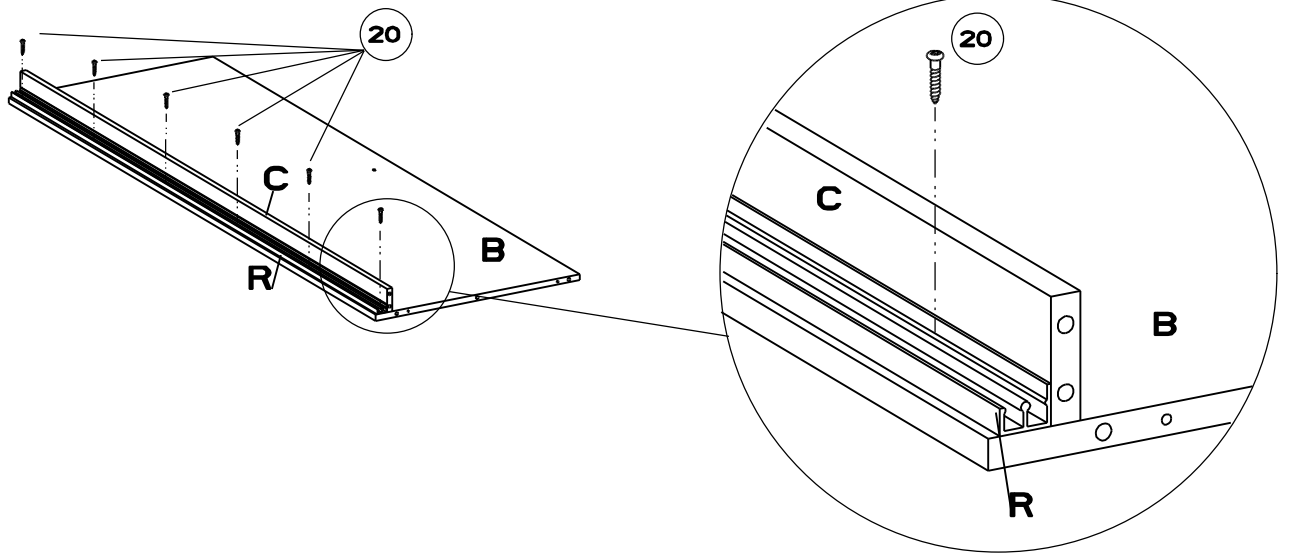
26

x2

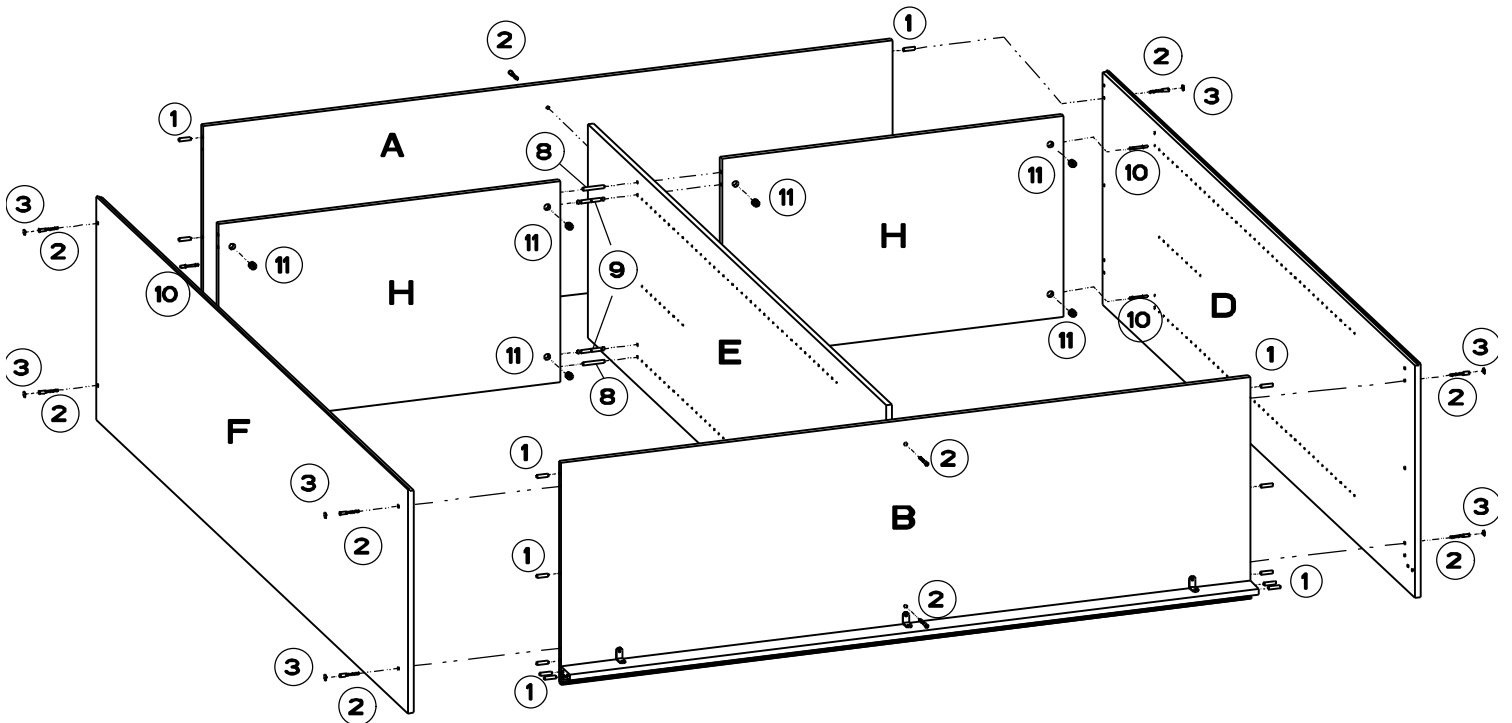
1



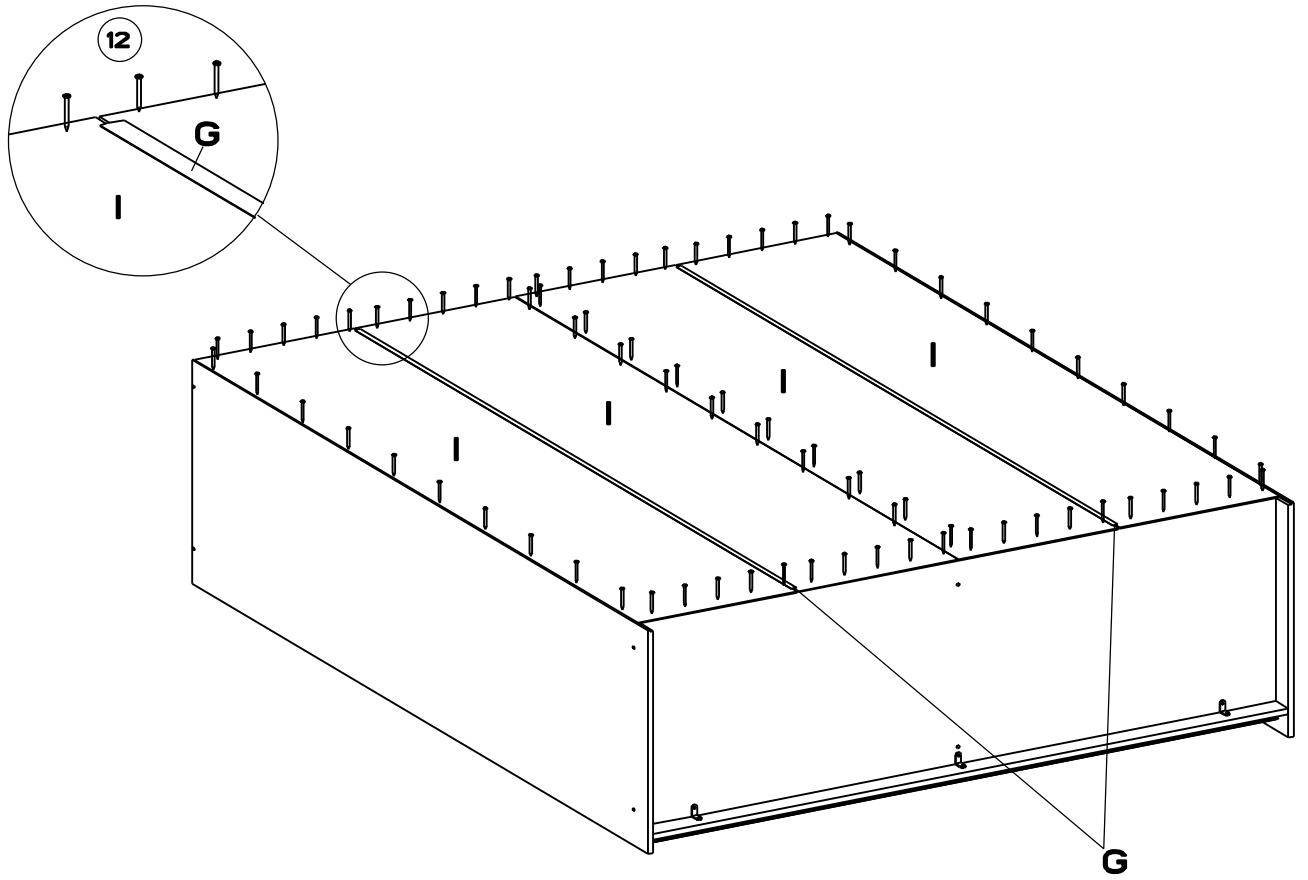
2



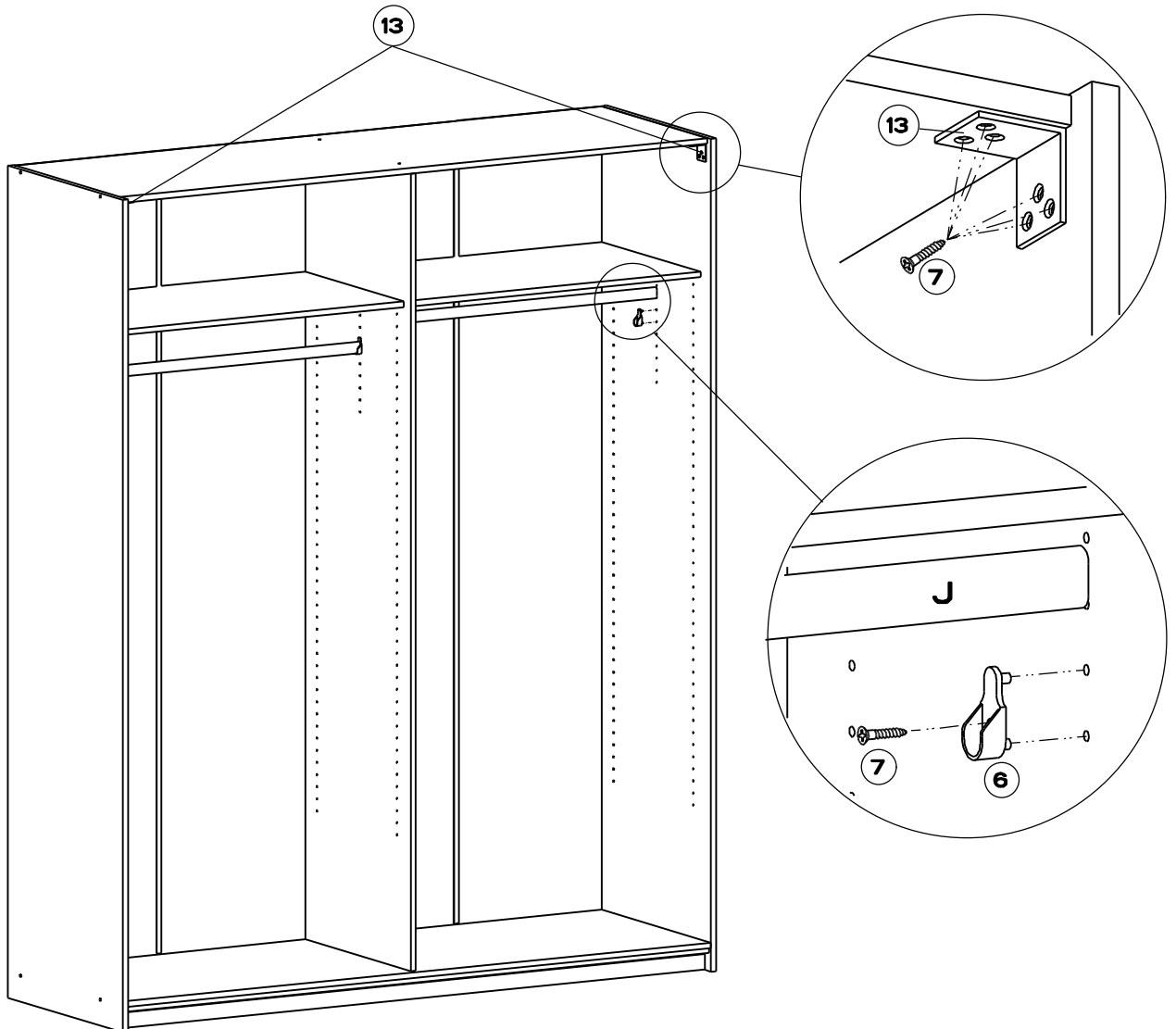
3

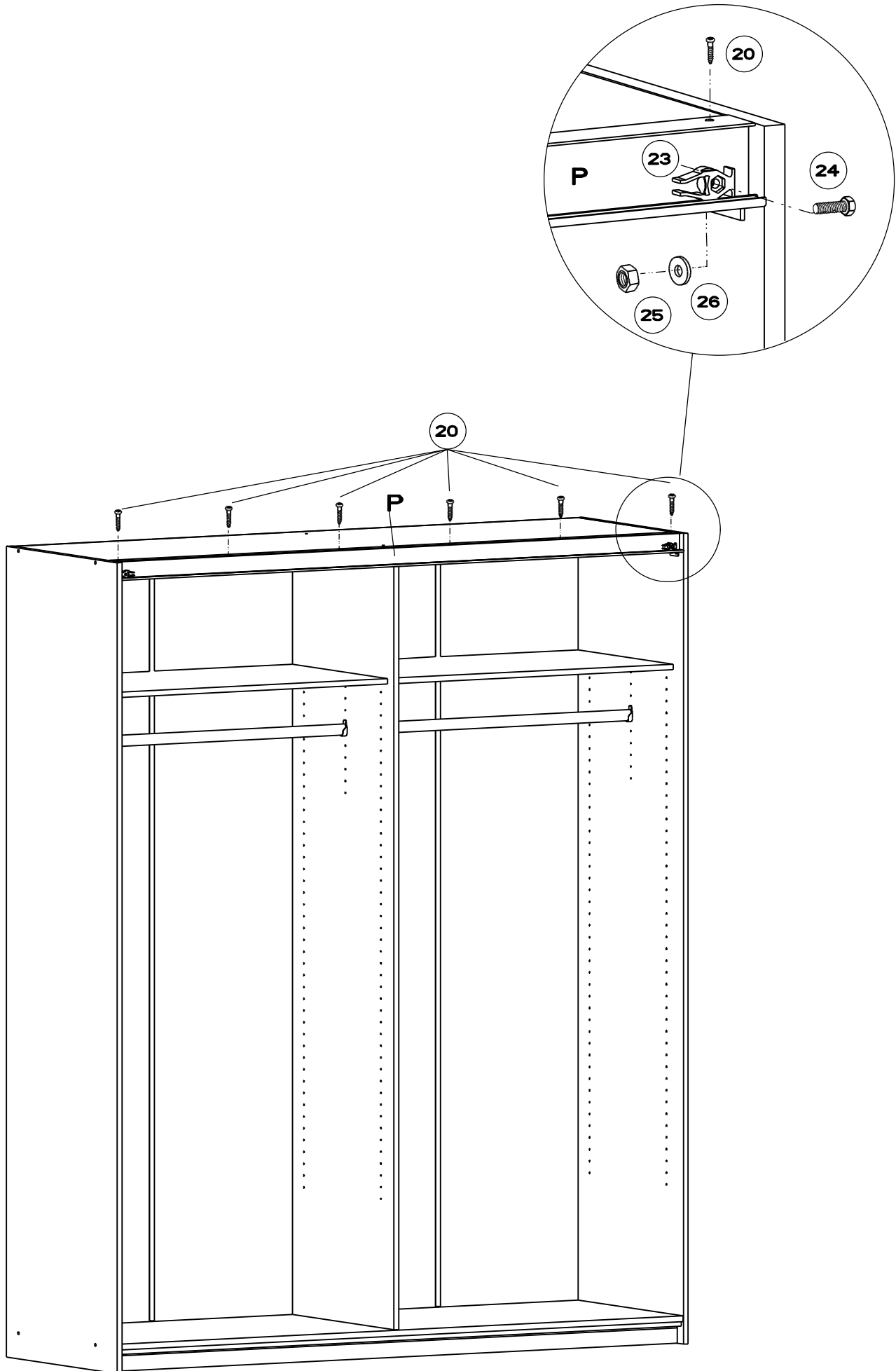


4



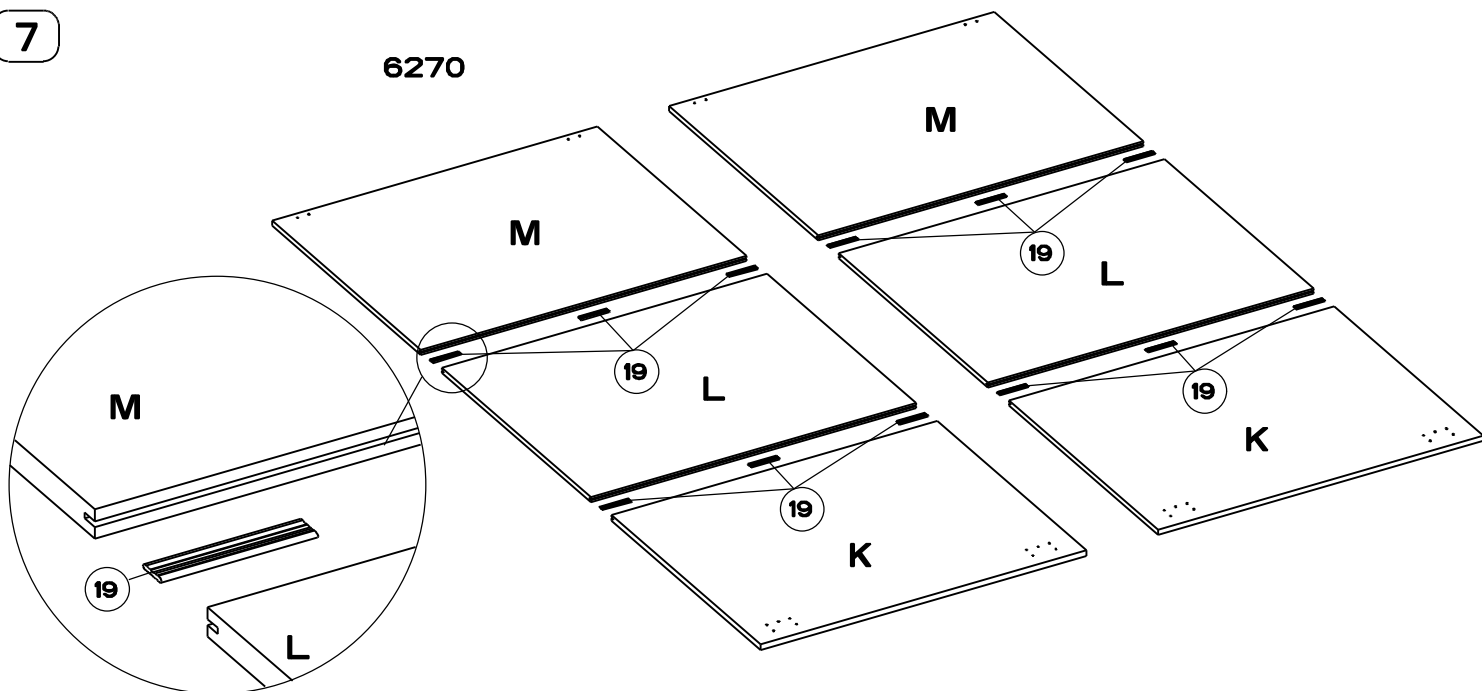
5





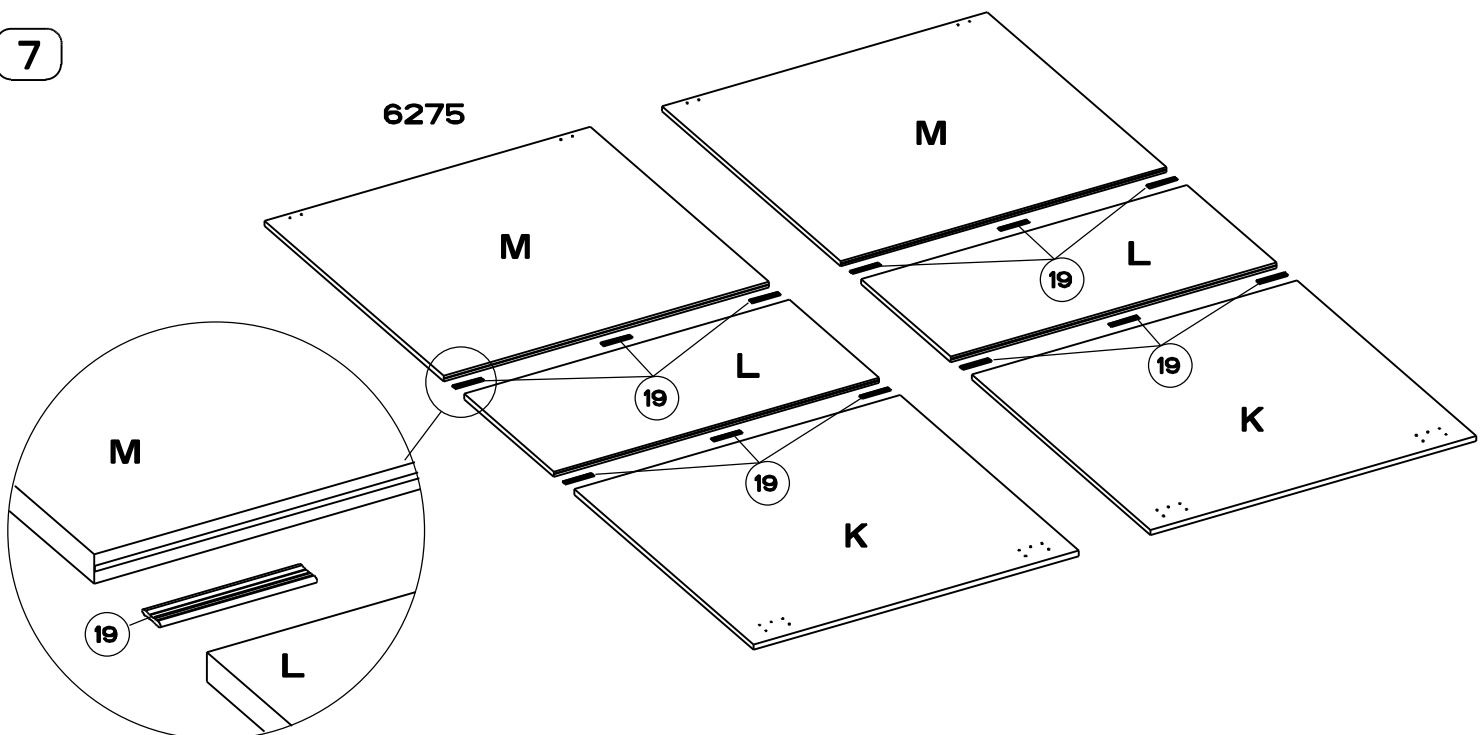
7

6270



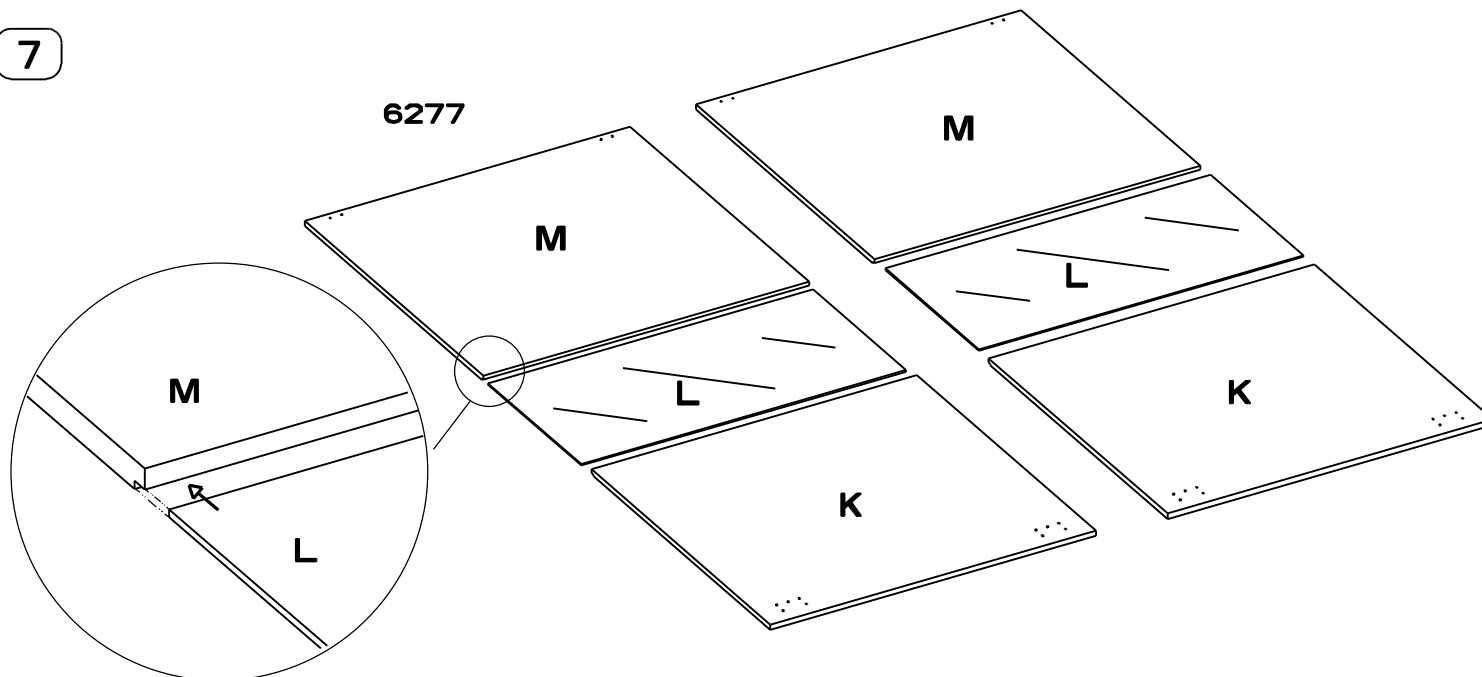
7

6275



7

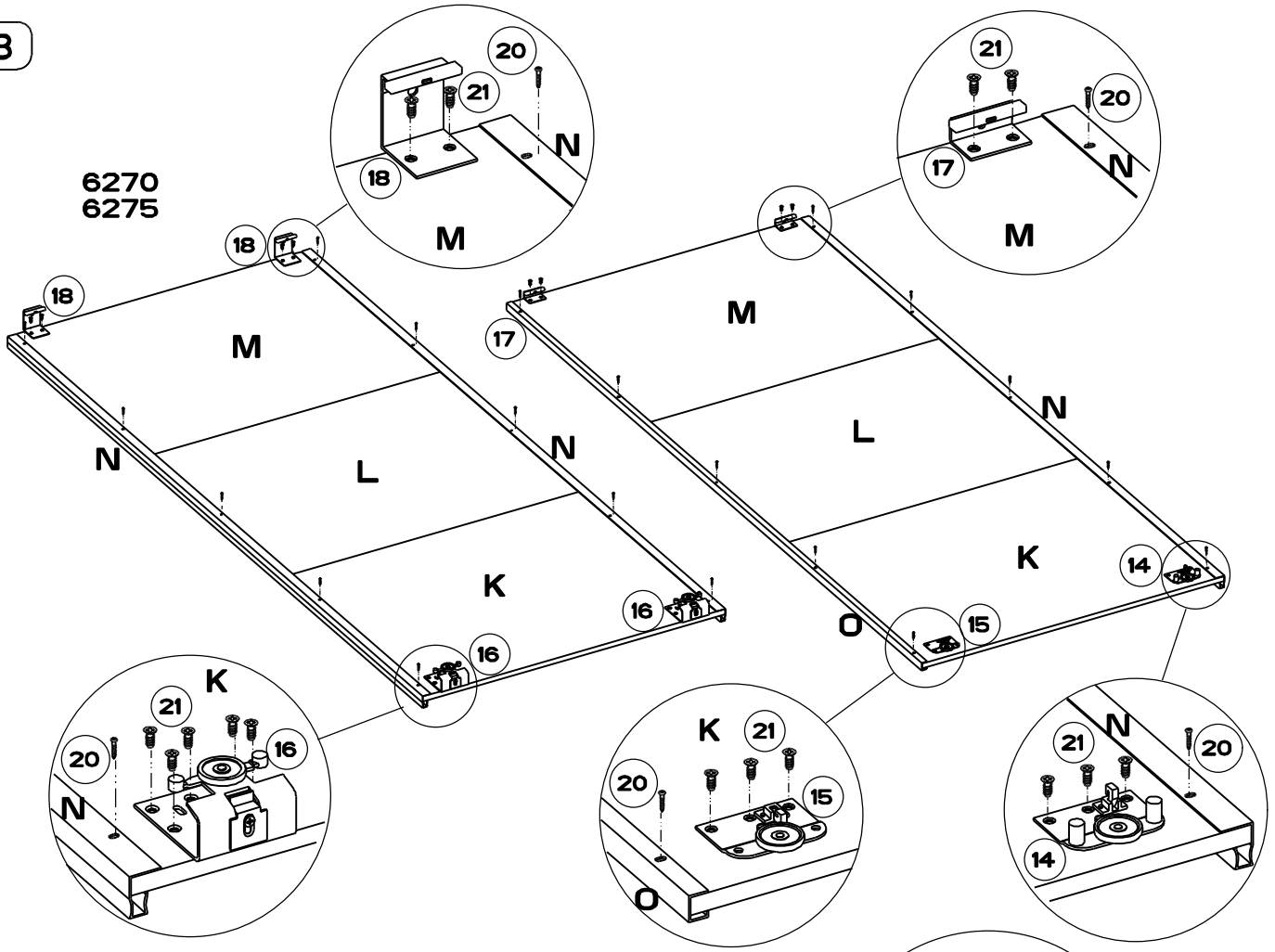
6277



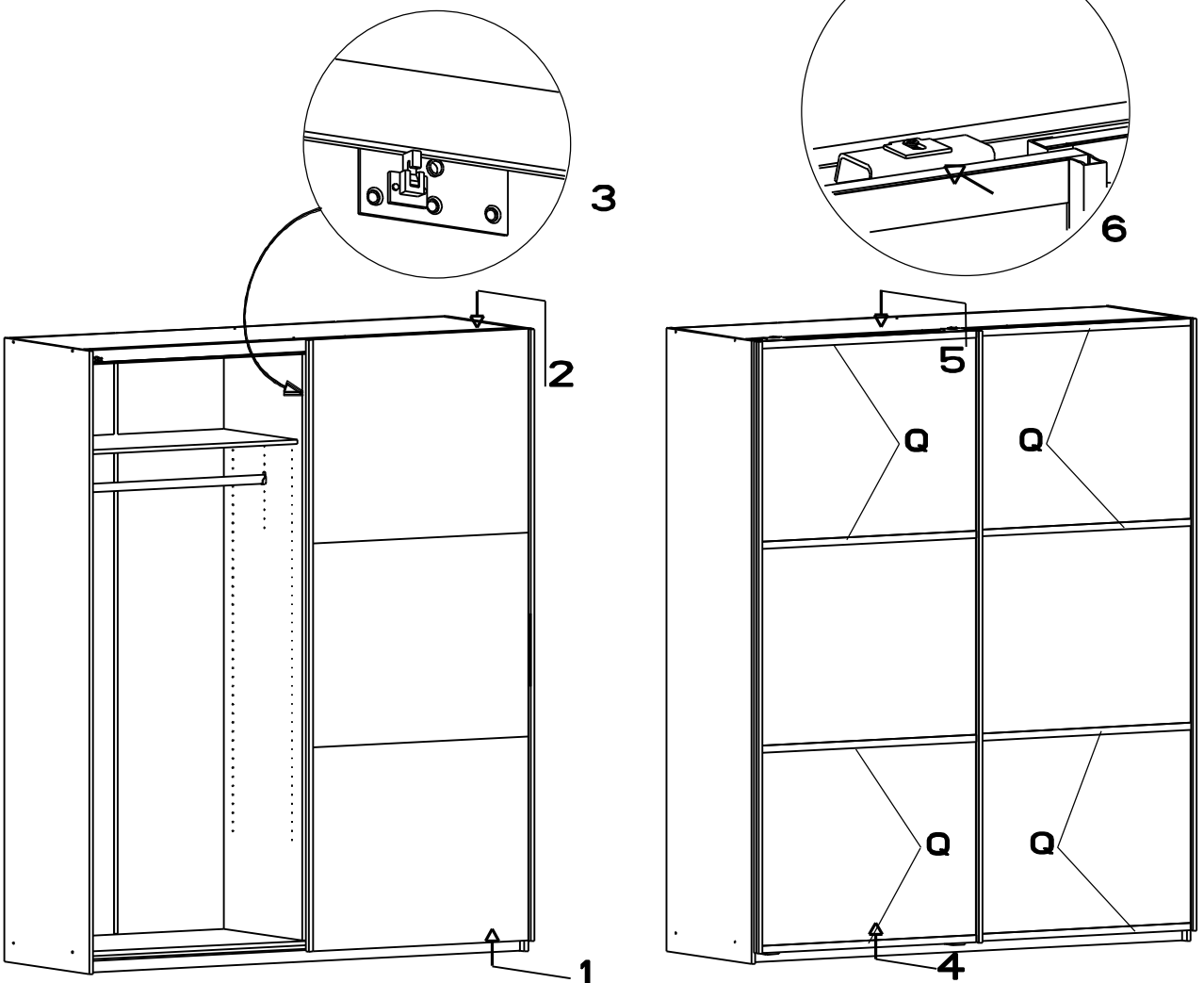


8

6270  
6275

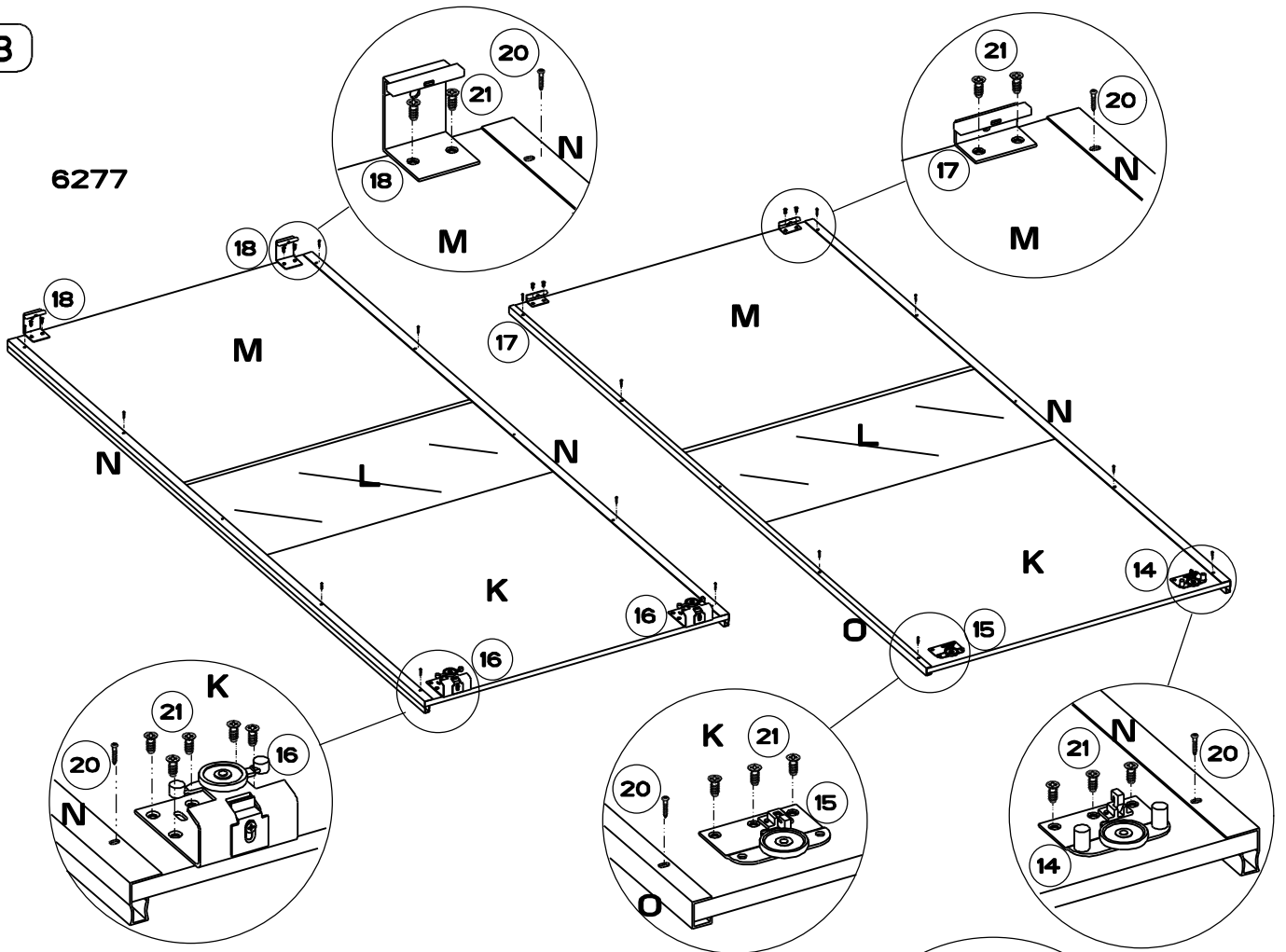


9



8

6277



9

